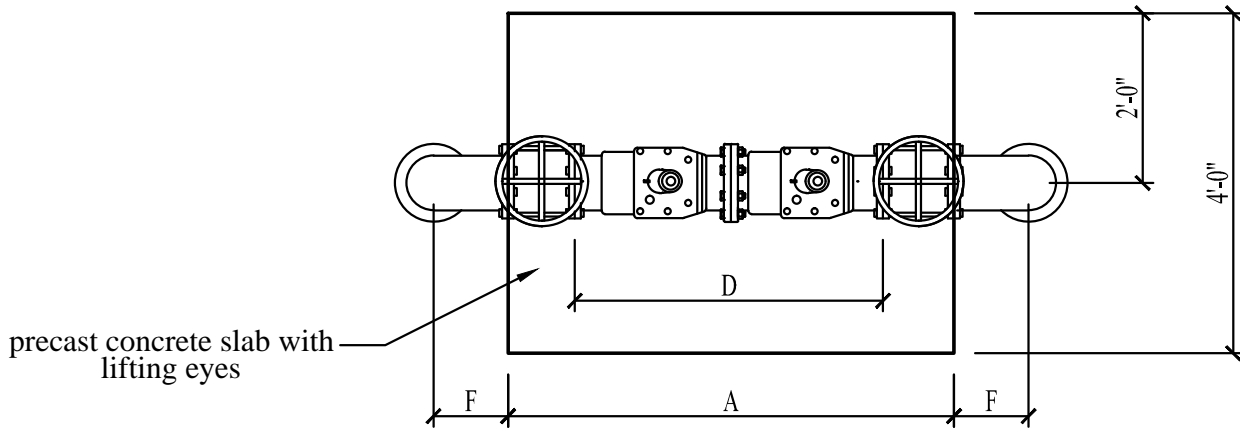
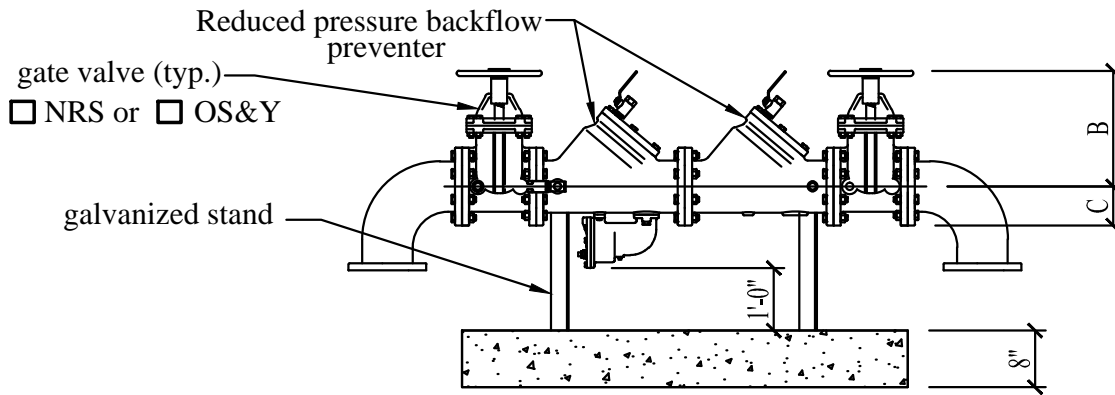


Reduced Pressure Backflow Preventer



Plan View



Elevation

	MODEL	SIZE	A	B	C	D	E	F	NET WT (lbs)
<input type="checkbox"/>	RPBP 25	2 1/2	41 1/4	15 7/8	5 1/4	26 1/8	10	4	1300
<input type="checkbox"/>	RPBP 3	3	42 1/4	18 1/2	5 1/4	26 1/8	10 1/8	5 1/2	1400
<input type="checkbox"/>	RPBP 4	4	52	23 3/4	6	37	12 1/8	6 1/2	1800
<input type="checkbox"/>	RPBP 6	6	65 1/2	32 1/2	5 1/2	44 1/2	18 1/2	8	2500
<input type="checkbox"/>	RPBP 8	8	78 3/4	78 3/4	6 1/2	55 1/4	21 5/8	9	3800
<input type="checkbox"/>	RPBP 10	10	93 5/8	48	8	67 3/8	26	11	5000

Specifications:

- Concrete has a 28 day strength of 5,000 psi
- Steel reinforcement is ASTM A615 Grade 60
- Load design is H-20

Notes:

- Consult manufacturer before handling



CAPITAL PRECAST, INC.

6905 SOUTH OLD BASTROP HWY
SAN MARCOS, TEXAS 78666
PH. (830) 606-6200

FOR **Reduced Pressure Backflow Preventer**

JOB

DRAWN

RW

DATE

12/1/2015

Rev. No.

SHEET

FILE

catalog/backflow assemblies/RPBackflow

1 OF 1