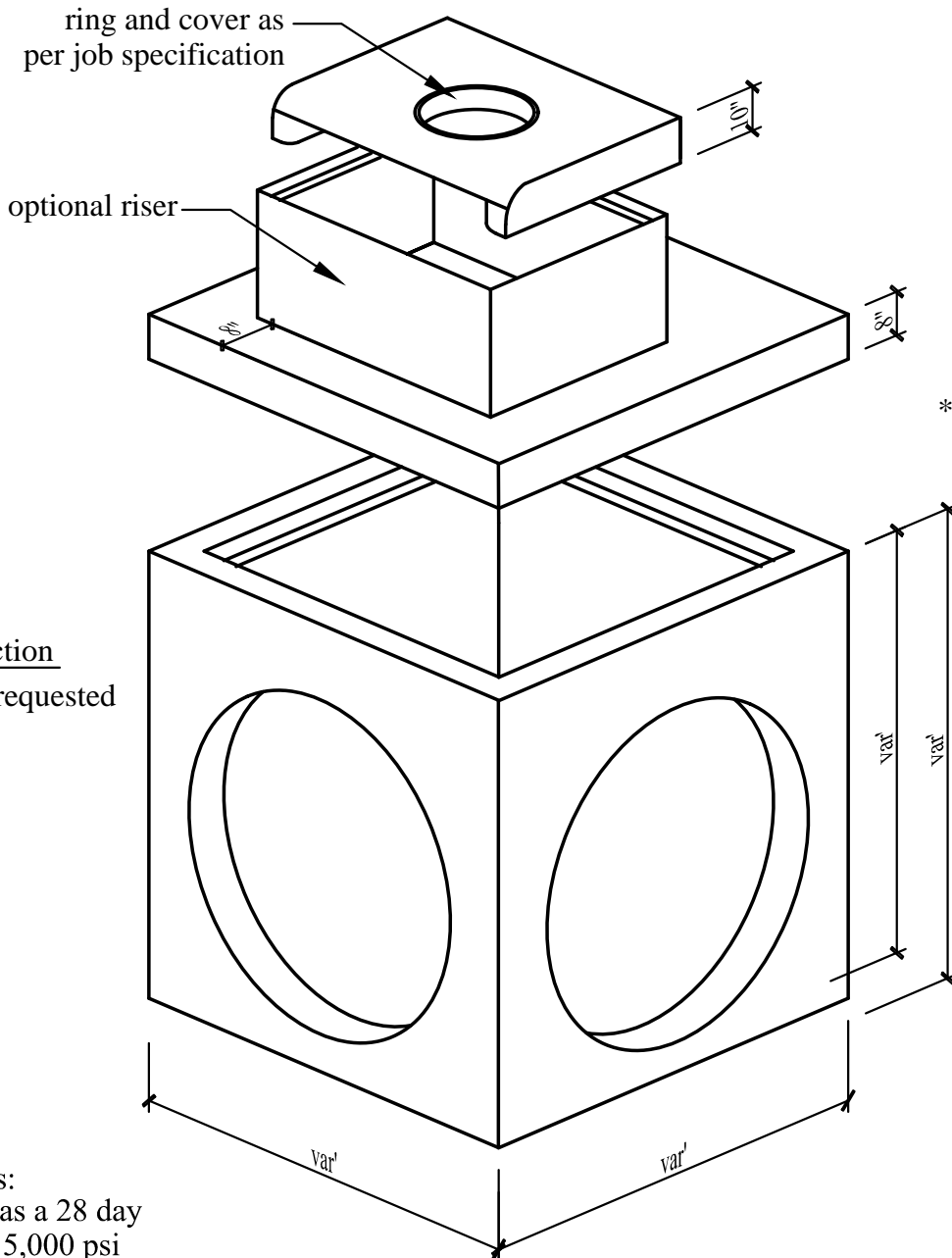


Junction Box / Curb Inlet Combination



5 x 5
6 x 6
7 x 7
8 x 8

*other sizes available on request

Bottom Section
knockouts as requested

- Specifications:
- Concrete has a 28 day strength of 5,000 psi
 - Steel reinforcement is ASTM A615 grade 60
 - Load design is H-20

Notes:
- Consult manufacturer before handling



CAPITAL PRECAST, INC.

6905 SOUTH OLD BASTROP HWY
SAN MARCOS, TEXAS 78666
PH. (830) 606-6200

FOR Junction Box / Curb Inlet Combination

JOB

DRAWN

RW

DATE

12/1/2015

Rev. No.

SHEET

FILE

catalog/curbinlets/Junction Box_Curb Inlet

1 OF 1