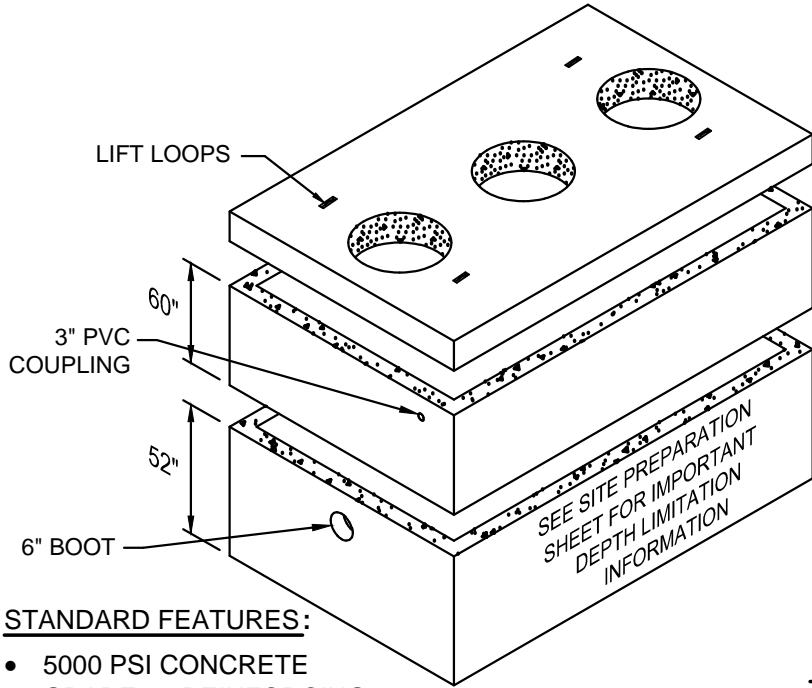


DATE: 10/2/2016 PROJECT: UNP03 01 7000



STANDARD FEATURES:

- 5000 PSI CONCRETE
- GRADE 60 REINFORCING
- 8" TRAFFIC BEARING LID
- AASHTO H-20 RATED
- 4" WALLS AND FLOOR

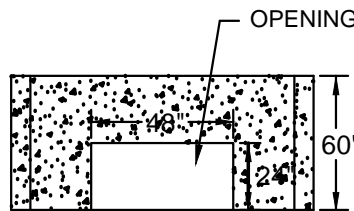
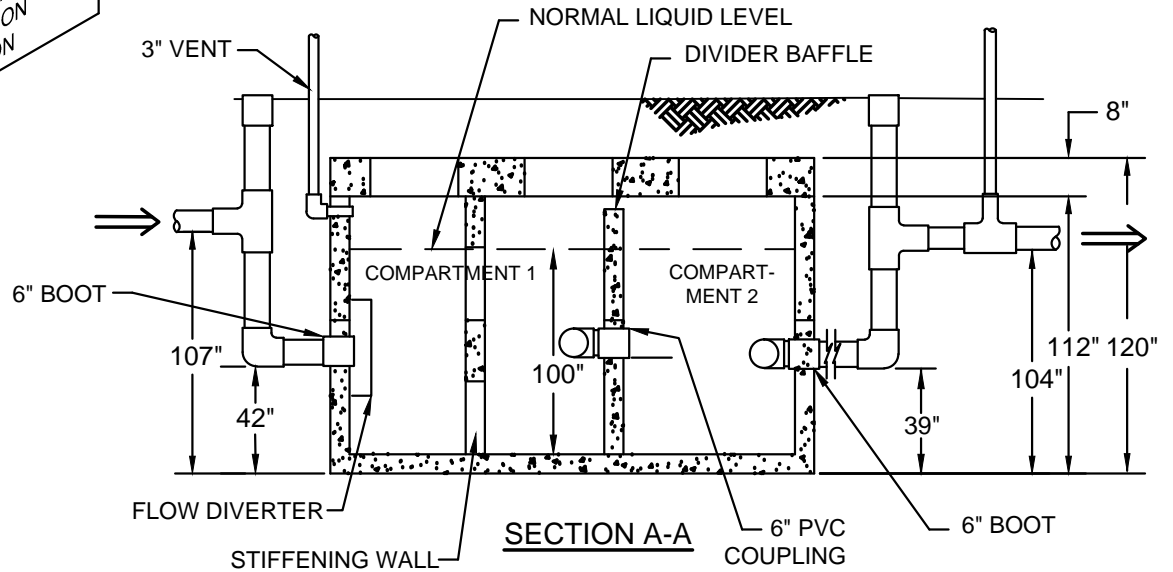
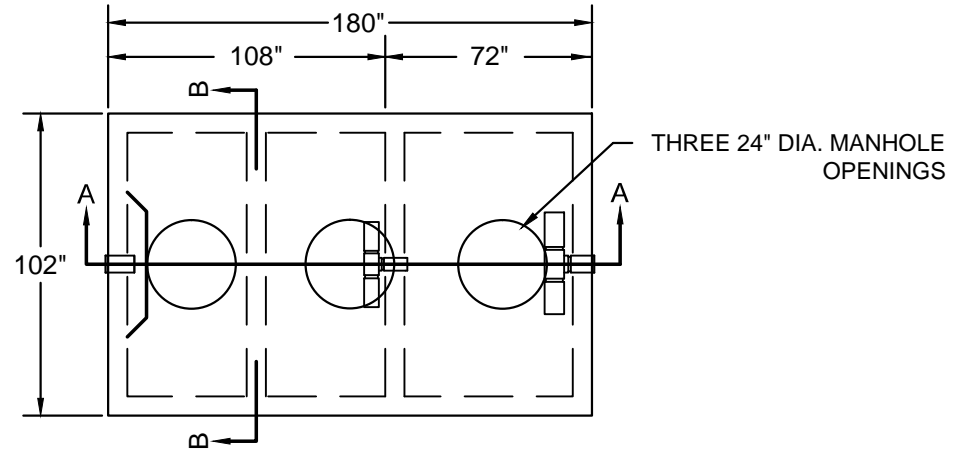
WEIGHT (APPROXIMATE):

TANK	19,170 LBS
60" EXTENSION	15,330 LBS
8" LID	12,650 LBS
TOTAL	47,150 LBS

NOTES:

- GROUND WATER LEVEL MUST BE 6 FT OR MORE BELOW GRADE
- ALLOW FOR MANHOLE RING AND COVER IN TOTAL HEIGHT
- STANDARD INLET/OUTLET FITTINGS ARE 6" BOOT (4" AVAILABLE)
- **MAXIMUM BURY DEPTH TO BOTTOM OF TANK**
 AASHTO H-20 LOADING: 11 FT
 NON TRAFFIC (SOIL) LOADING: 13 FT

7000 GALLON GREASE INTERCEPTOR



SECTION B-B
STIFFENING WALL
(IN BASE & EXTENSION SECTIONS)

6905 South Old Bastrop Hwy
San Marcos, Texas 78666

830-606-6200
Fax 830-620-6201
capitalprecastinc.com