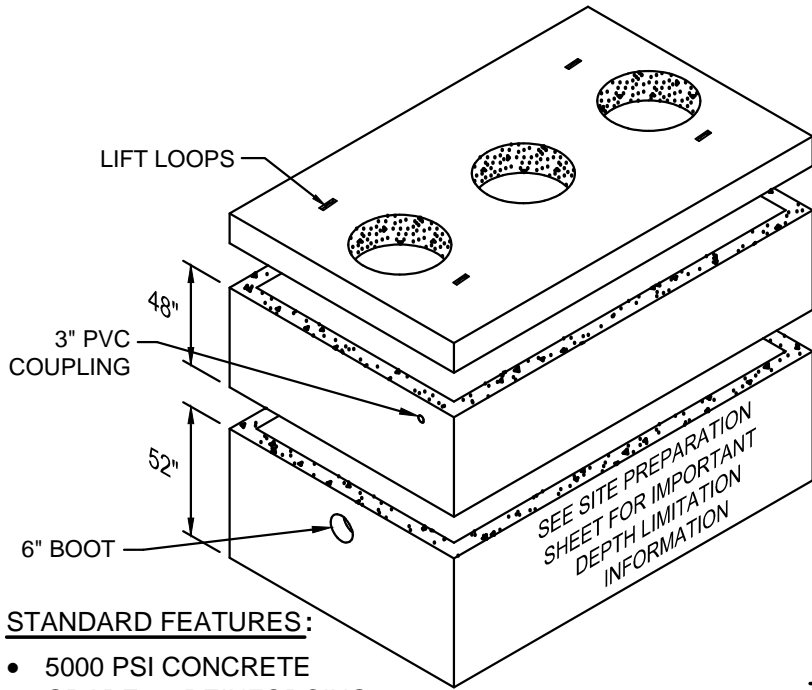


DATE: 10/2/2016

BY EXAMINE: JONN G. GANN



**STANDARD FEATURES:**

- 5000 PSI CONCRETE
- GRADE 60 REINFORCING
- 8" TRAFFIC BEARING LID
- AASHTO H-20 RATED
- 4" WALLS AND FLOOR

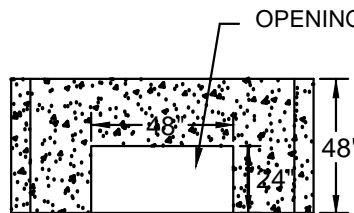
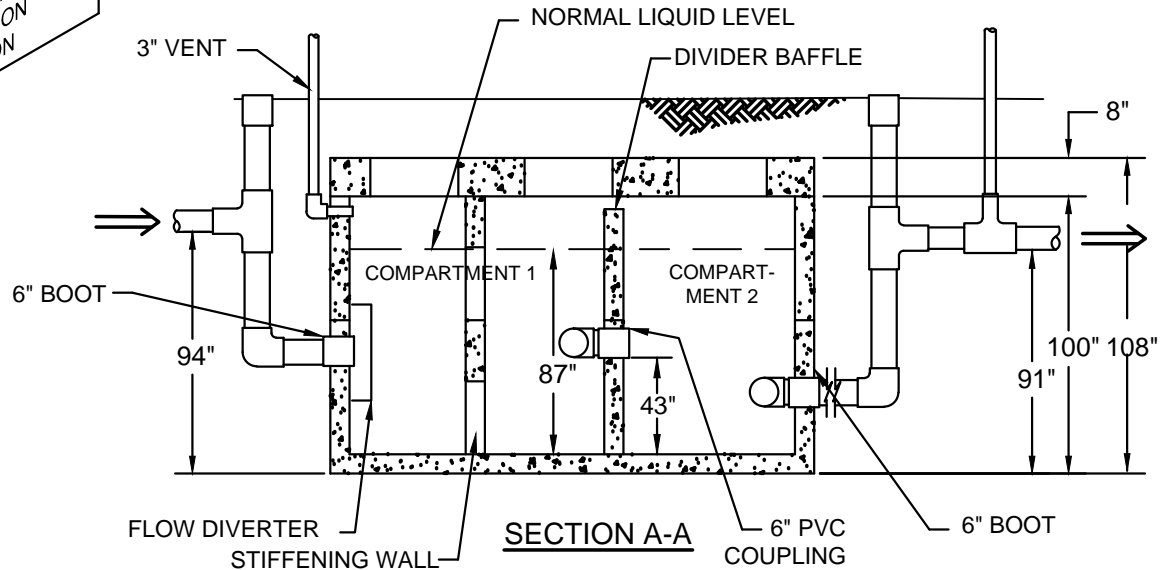
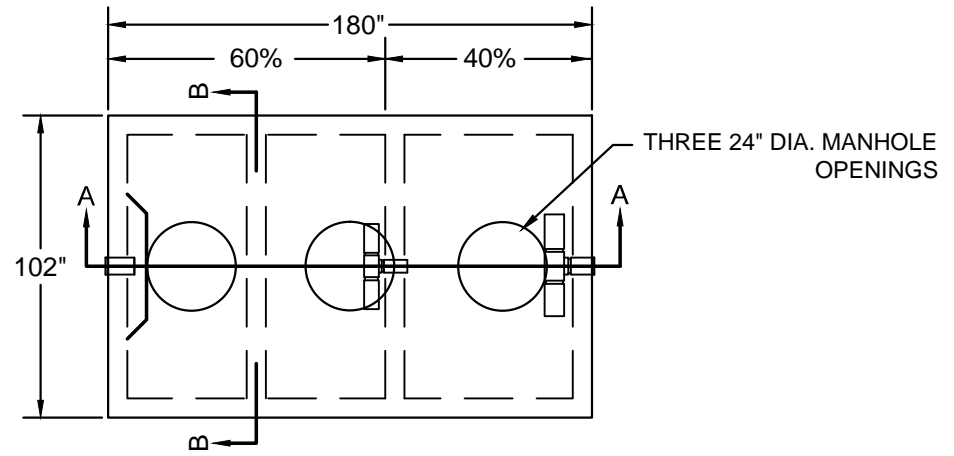
**WEIGHT (APPROXIMATE):**

TANK	19,170 LBS
48" EXTENSION	12,264 LBS
8" LID	12,650 LBS
<b>TOTAL</b>	<b>43,085 LBS</b>

**NOTES:**

- GROUND WATER LEVEL MUST BE 6 FT OR MORE BELOW GRADE
- ALLOW FOR MANHOLE RING AND COVER IN TOTAL HEIGHT
- STANDARD INLET/OUTLET FITTINGS ARE 6" BOOT (4" AVAILABLE)
- **MAXIMUM BURY DEPTH TO BOTTOM OF TANK**  
 AASHTO H-20 LOADING: 11 FT  
 NON TRAFFIC (SOIL) LOADING: 13 FT

**6000 GALLON GREASE INTERCEPTOR**



**SECTION B-B**  
STIFFENING WALL  
(IN BASE & EXTENSION SECTIONS)



6905 South Old Bastrop Hwy  
San Marcos, Texas 78666

830-606-6200  
Fax 830-620-6201  
capitalprecastinc.com