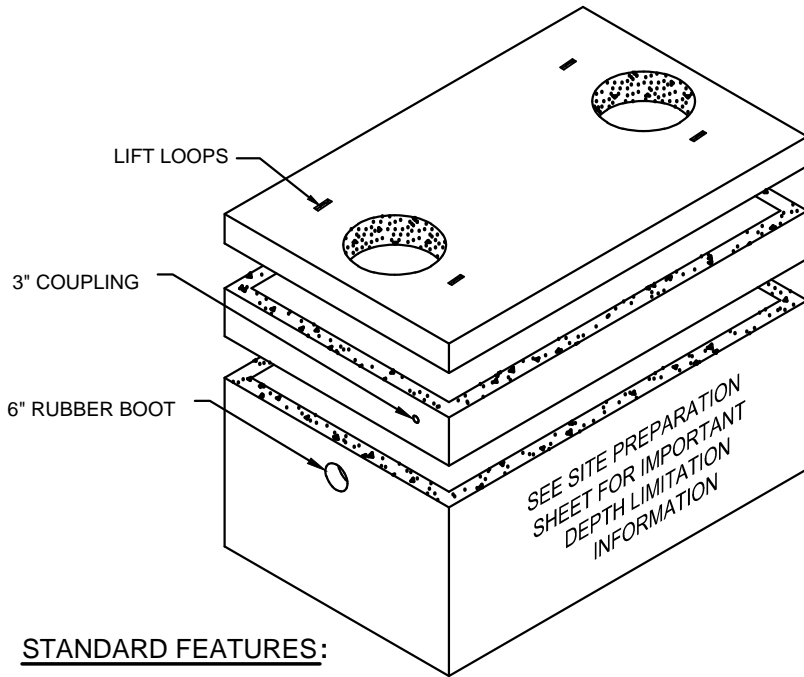


DATE: 10/3/2016

FILENAME: HCOP_GI-4000



STANDARD FEATURES:

- 5000 PSI CONCRETE
- GRADE 60 REINFORCING
- 8" TRAFFIC BEARING LID
- AASHTO H-20 RATED
- 4" WALLS AND FLOOR

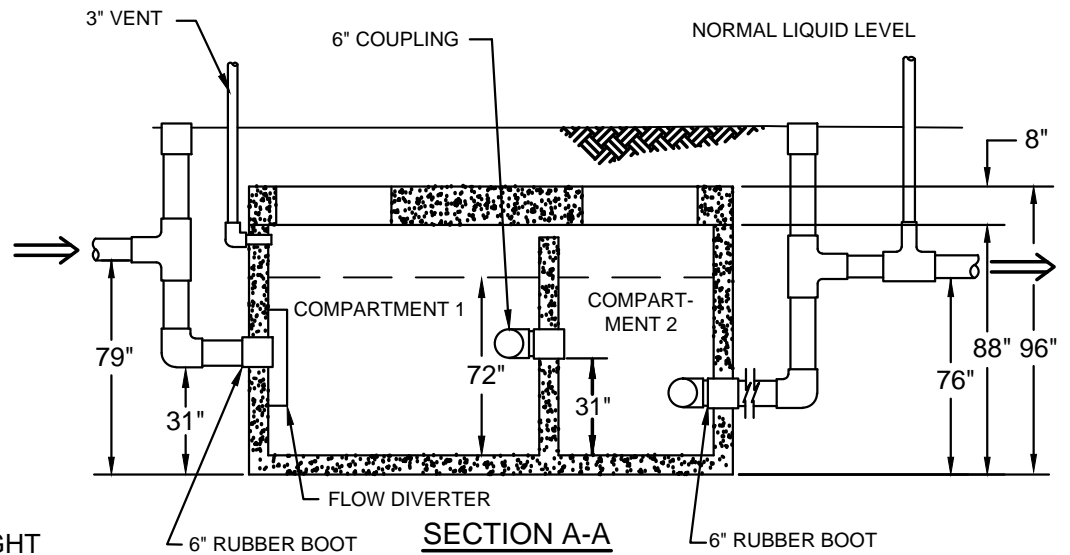
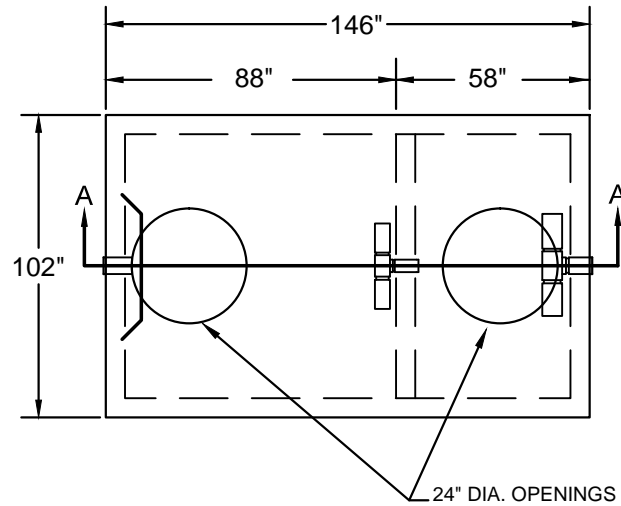
WEIGHT (APPROXIMATE):

TANK	18,500 LBS
24" EXTENSION	4,200 LBS
8" LID	11,000 LBS

NOTES:

- ALLOW FOR MANHOLE RING AND COVER IN TOTAL HEIGHT
- STANDARD INLET/OUTLET FITTINGS ARE 6" BOOT (4" AVAILABLE)
- **MAXIMUM BURY DEPTH TO BOTTOM OF TANK: 9 FT**

4000 GALLON GREASE INTERCEPTOR



6905 South Old Bastrop Hwy
San Marcos, Texas 78666

830-606-6200
Fax 830-620-6201
capitalprecastinc.com