

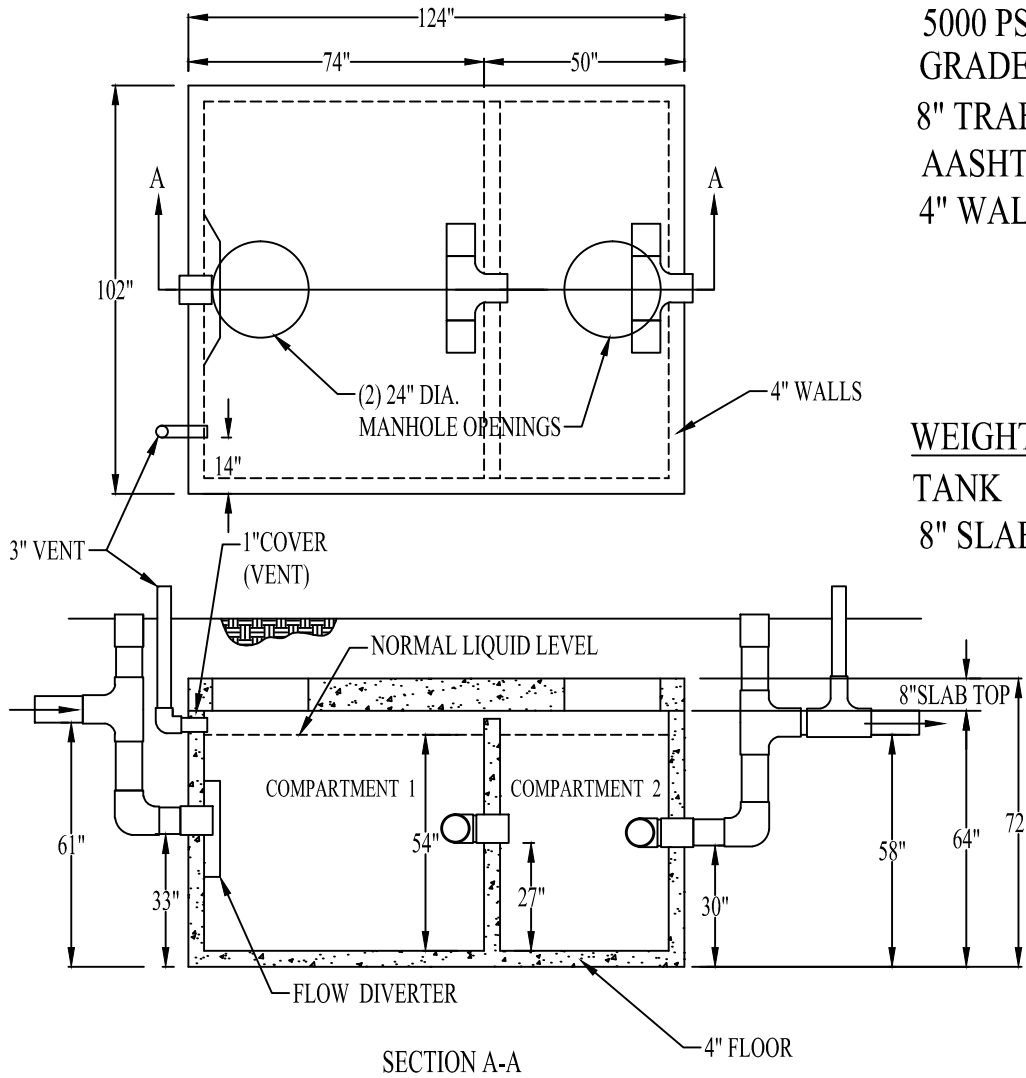
# 2500 GALLON GREASE INTERCEPTOR

## STANDARD FEATURES:

5000 PSI CONCRETE  
 GRADE 60 REINFORCING  
 8" TRAFFIC BEARING LID  
 AASHTO H-20 RATED  
 4" WALLS AND FLOOR

## WEIGHT (APPROXIMATE):

TANK 15,711 LBS  
 8" SLAB TOP 8,778 LBS



## NOTES:

ALLOW FOR MANHOLE AND COVER IN TOTAL HEIGHT.  
 STANDARD INLET/OUTLET FITTINGS ARE 6" BOOT  
 (4" AVAILABLE)  
 MAXIMUM BURY DEPTH TO BOTTOM OF TANK: 10 FT.



CAPITAL PRECAST, INC.

6905 SOUTH OLD BASTROP HWY  
 SAN MARCOS, TEXAS 78666  
 PH. (830) 606-6200

FOR 2500 Grease Interceptor

JOB

DRAWN	DK	DATE	06/16/17	Rev. No.	03/23/20	SHEET	1 OF 1
FILE	RemovableDisk(G:)/2500GI.dwg						