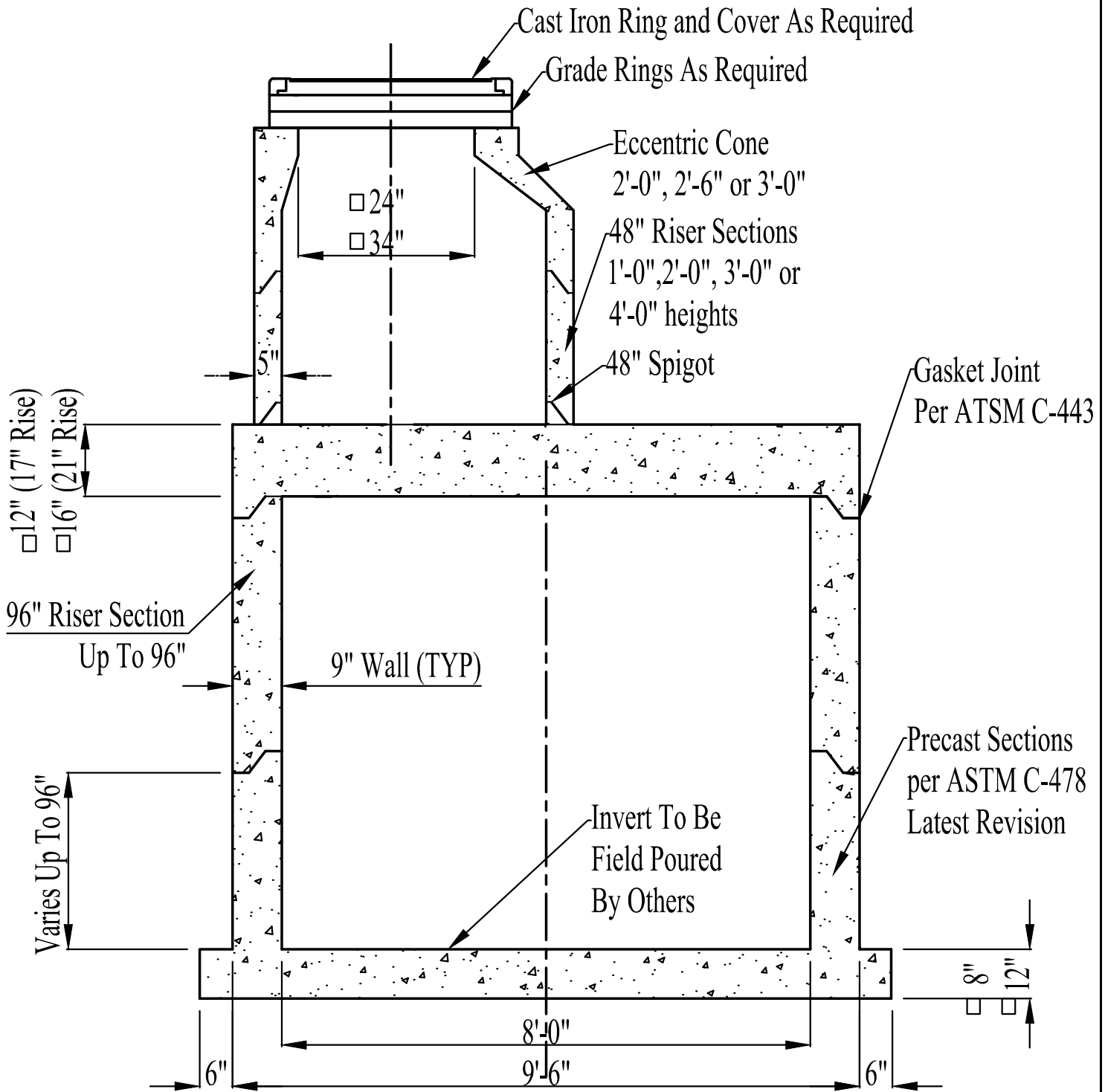


96"/48" Precast Eccentric Manhole w/Extended Base



Specifications:

- Concrete has a 28 day strength of 5,000 psi
- Steel reinforcement is ASTM A615 grade 60
- Load design is H-20

Notes:

- Consult manufacturer before handling



CAPITAL PRECAST, INC.

6905 SOUTH OLD BASTROP HWY
SAN MARCOS, TEXAS 78666
PH. (830) 606-6200

FOR 96/48 Precast Ecc Manhole w/Extended Base

JOB

DRAWN

RW

DATE

1/11/2016

Rev. No.

SHEET

FILE

catalog/sanitary/96/48ManholeEcc.w/ExtenedBaseandTop

1 OF 1