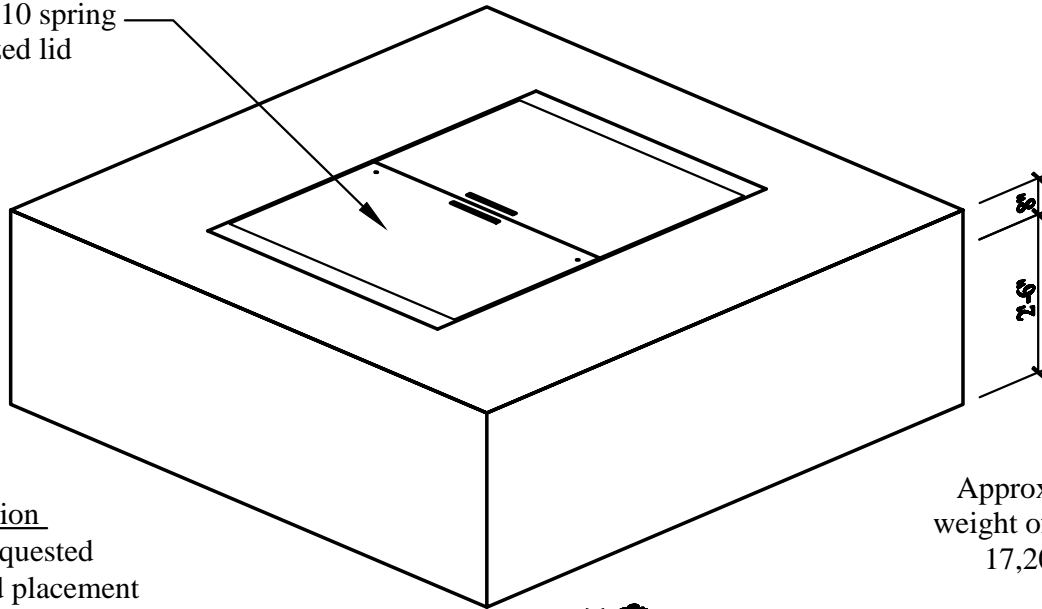


8' x 8' x 5' Meter Vault

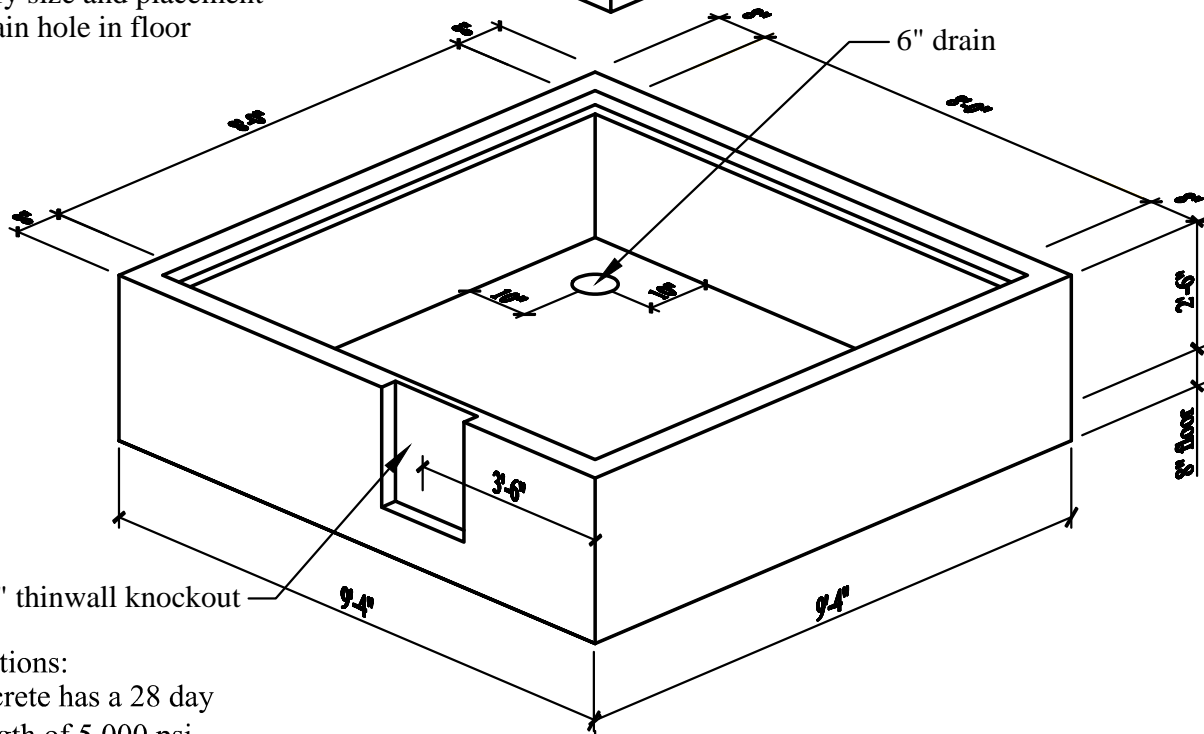
3' x 5' steel H-10 spring assist galvanized lid



Approximate weight of product:
17,200 lbs

Bottom Section

knockouts as requested
specify size and placement
6" drain hole in floor



Specifications:

- Concrete has a 28 day strength of 5,000 psi
- Steel reinforcement is ASTM A615 Grade 60
- Load design is H-20

Notes:

- Consult manufacturer before handling



CAPITAL PRECAST, INC.

6905 SOUTH OLD BASTROP HWY
SAN MARCOS, TEXAS 78666
PH. (830) 606-6200

FOR 8' x 8' x 5' Meter Vault

JOB

DRAWN

RW

DATE

12/1/2015

Rev. No.

SHEET

FILE

catalog/vaults/8x8x5 Meter Vault

1 OF 1