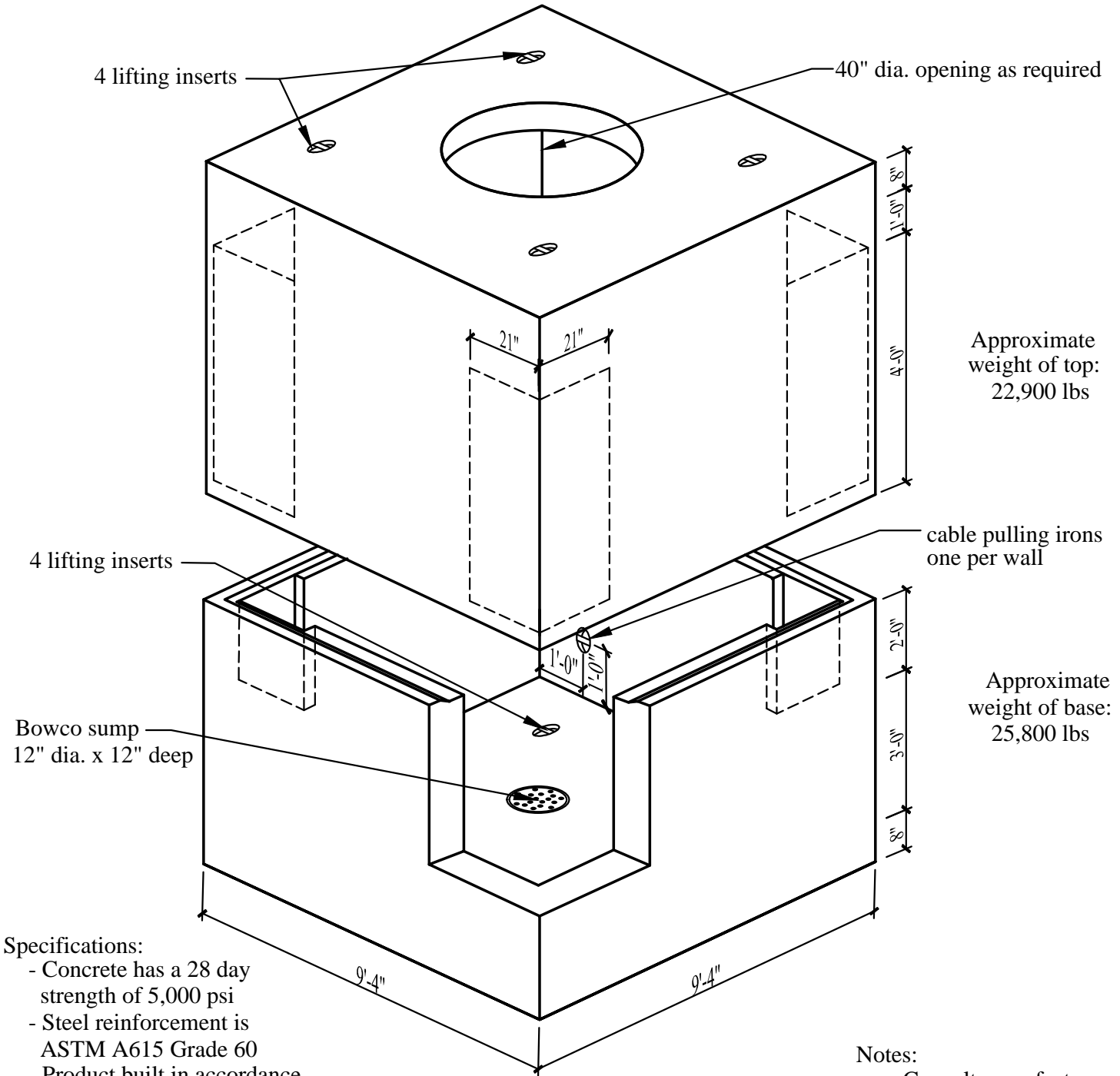


# CPS Precast Manhole 8' x 8' x 10'



Approximate weight of top:  
22,900 lbs

Approximate weight of base:  
25,800 lbs

- Specifications:
- Concrete has a 28 day strength of 5,000 psi
  - Steel reinforcement is ASTM A615 Grade 60
  - Product built in accordance with CPS spec 349-04

Notes:  
- Consult manufacturer before handling



**CAPITAL PRECAST, INC.**

6905 SOUTH OLD BASTROP HWY  
SAN MARCOS, TEXAS 78666  
PH. (830) 606-6200

|   |                |          |        |
|---|----------------|----------|--------|
| FOR 8' x 8' x 10' Manhole - CPS                   |                |          |        |
| JOB   |                |          |        |
| DRAWN RW  | DATE 12/1/2015 | Rev. No. | SHEET  |
| FILE catalog/elec.comm vault/8x8x10 Manhole - CPS |                |          | 1 OF 1 |