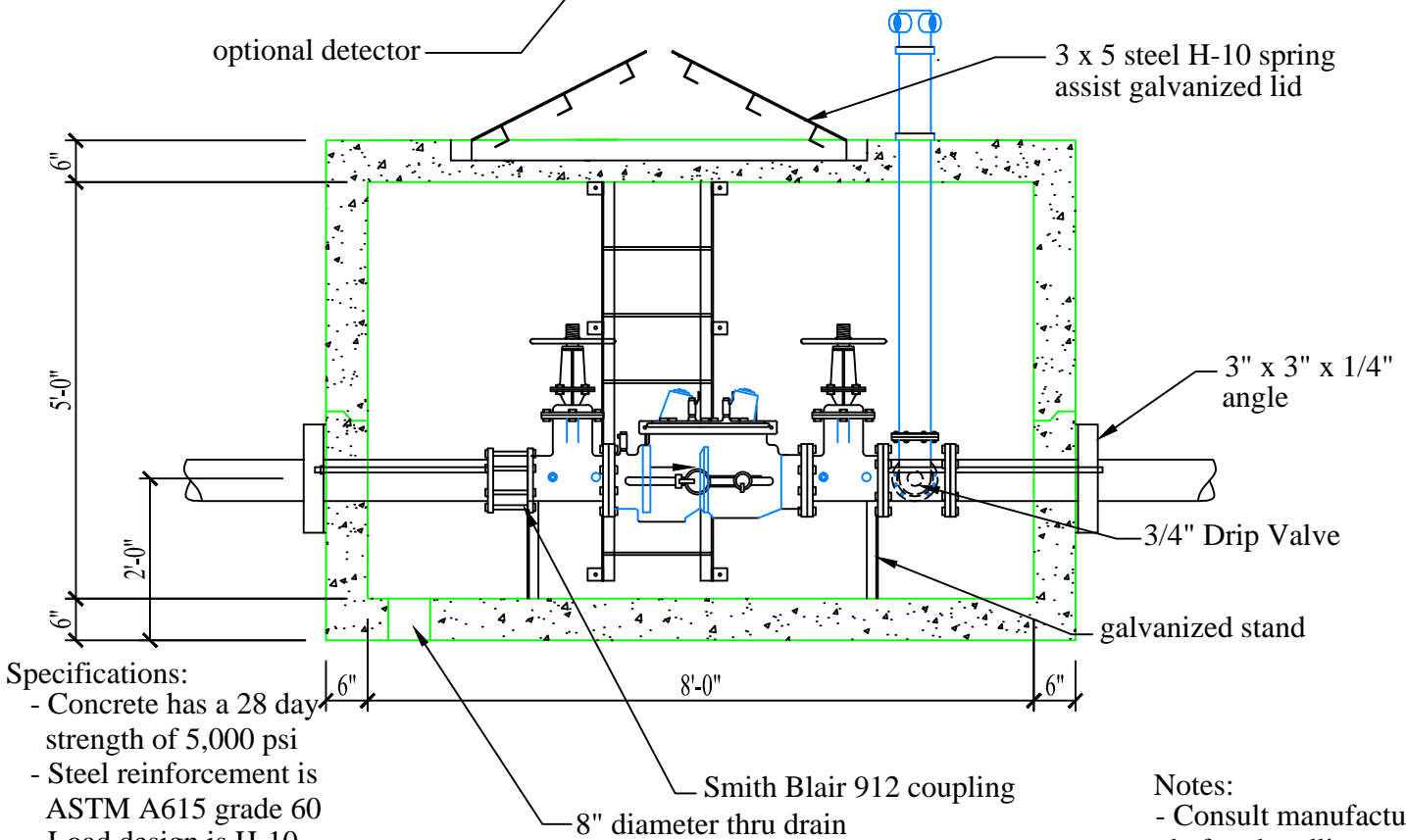
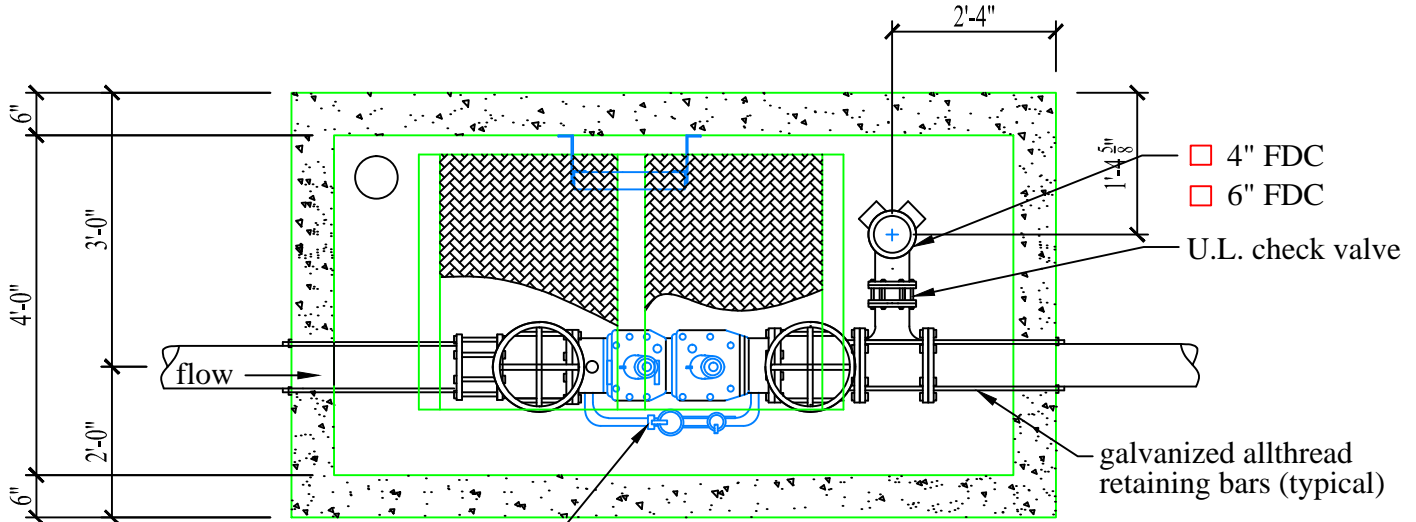


- 8" Double Check Assembly with FDC
- 8" Double Check Detector Assembly with FDC



Specifications:
 - Concrete has a 28 day strength of 5,000 psi
 - Steel reinforcement is ASTM A615 grade 60
 - Load design is H-10

Notes:
 - Consult manufacturer before handling



CAPITAL PRECAST, INC.

6905 SOUTH OLD BASTROP HWY
 SAN MARCOS, TEXAS 78666
 PH. (830) 606-6200

FOR 8" DC/DCD Assembly with FDC

JOB

DRAWN	RW	DATE	12/1/2015	Rev. No.	SHEET
FILE	catalog/backflow assembly/8 dc dcd fdc				1 OF 1