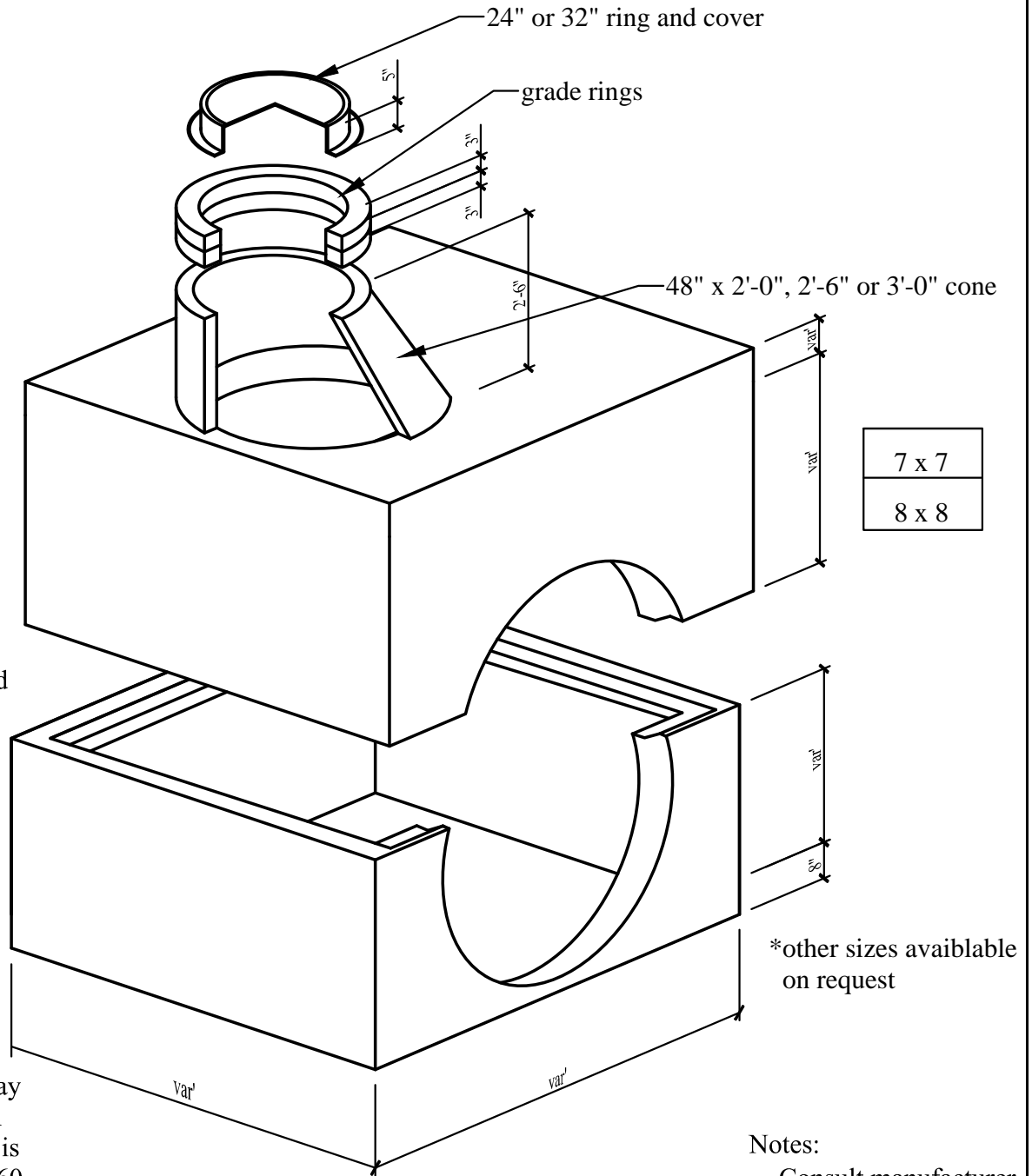


Junction Box / Eccentric Manhole



- Specifications:
- Concrete has a 28 day strength of 5,000 psi
 - Steel reinforcement is ASTM A615 grade 60
 - Load design is H-20



CAPITAL PRECAST, INC.

6905 SOUTH OLD BASTROP HWY
SAN MARCOS, TEXAS 78666
PH. (830) 606-6200

FOR Junction Box / Eccentric Manhole

JOB

DRAWN EJ

DATE 9/26/2016

Rev. No.

SHEET

FILE catalog/junction boxes/JB with ecc cone mono

1 OF 1