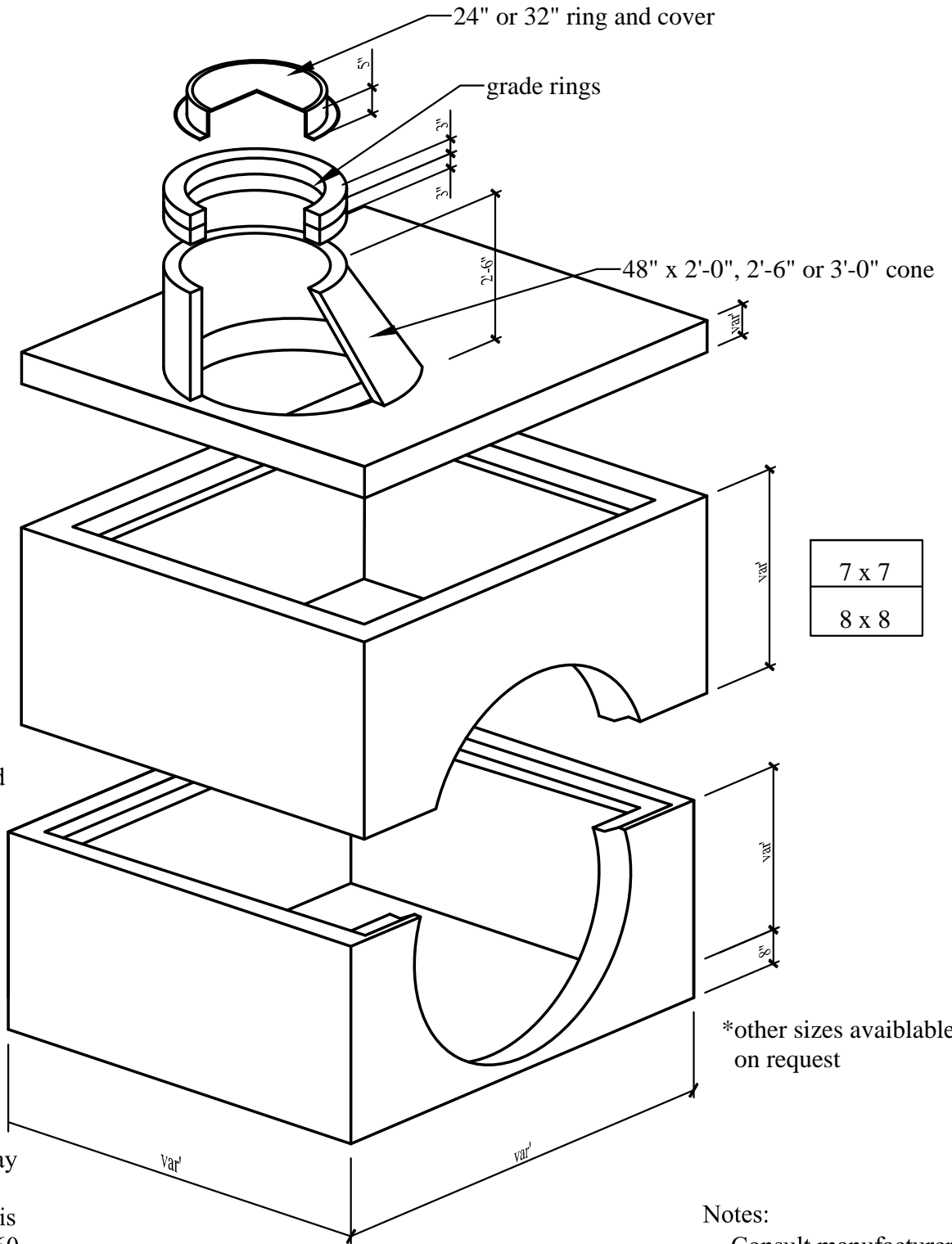


Junction Box / Eccentric Manhole



- Specifications:
- Concrete has a 28 day strength of 5,000 psi
 - Steel reinforcement is ASTM A615 grade 60
 - Load design is H-20

- Notes:
- Consult manufacturer before handling



CAPITAL PRECAST, INC.

6905 SOUTH OLD BASTROP HWY
SAN MARCOS, TEXAS 78666
PH. (830) 606-6200

FOR
Junction Box / Eccentric Manhole

JOB

DRAWN

EJ

DATE

9/26/2016

Rev. No.

SHEET

FILE

catalog/junction boxes/JB with ecc cone

1 of 1