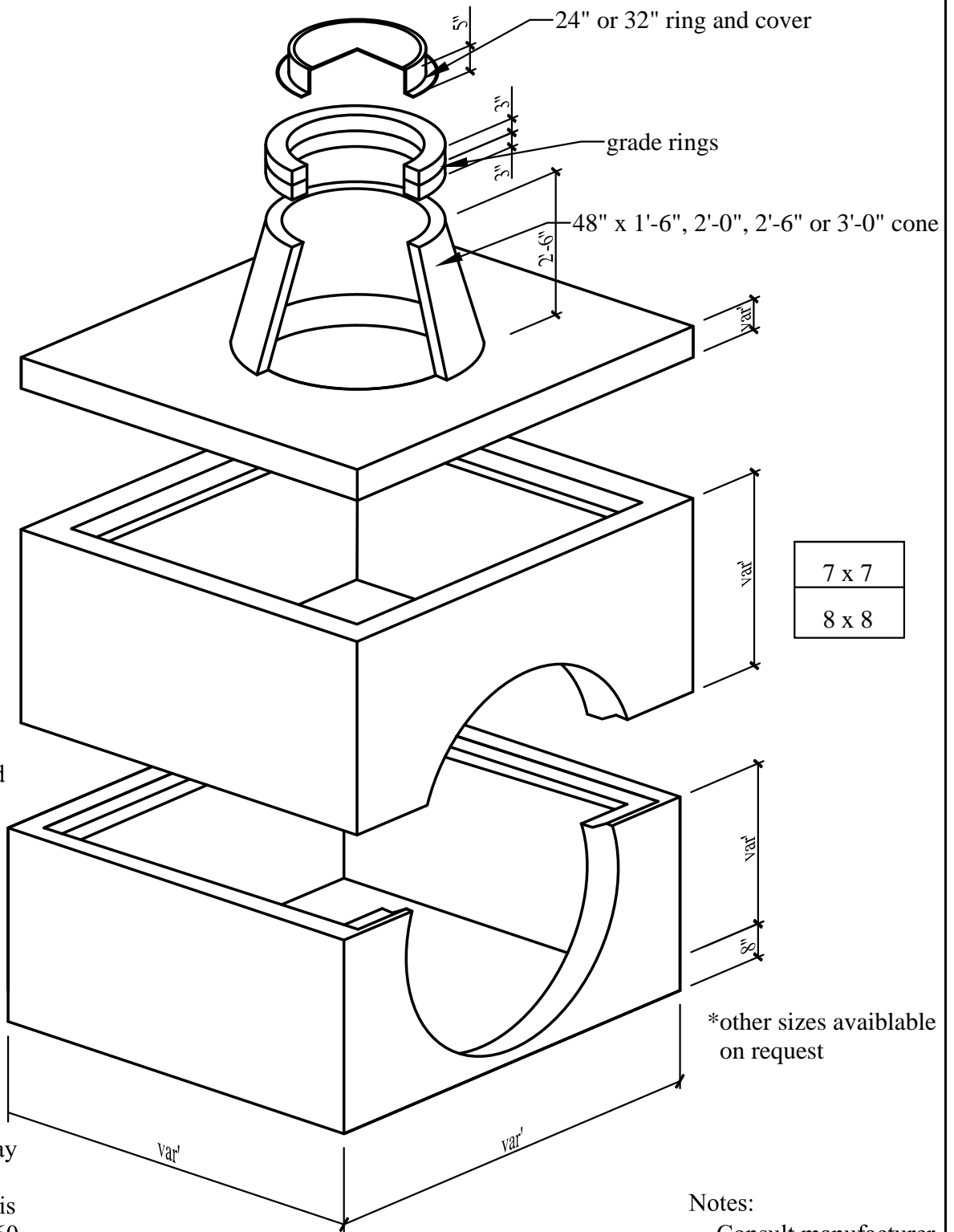


Junction Box / Manhole



Bottom Section
knockouts as requested

*other sizes available
on request

Specifications:

- Concrete has a 28 day strength of 5,000 psi
- Steel reinforcement is ASTM A615 grade 60
- Load design is H-20

Notes:

- Consult manufacturer before handling



CAPITAL PRECAST, INC.

6905 SOUTH OLD BASTROP HWY
SAN MARCOS, TEXAS 78666
PH. (830) 606-6200

FOR **Junction Box / Manhole**

JOB

DRAWN

EJ

DATE

9/26/2016

Rev. No.

SHEET

FILE

catalog/junction boxes/78JB with cone

1 OF 1