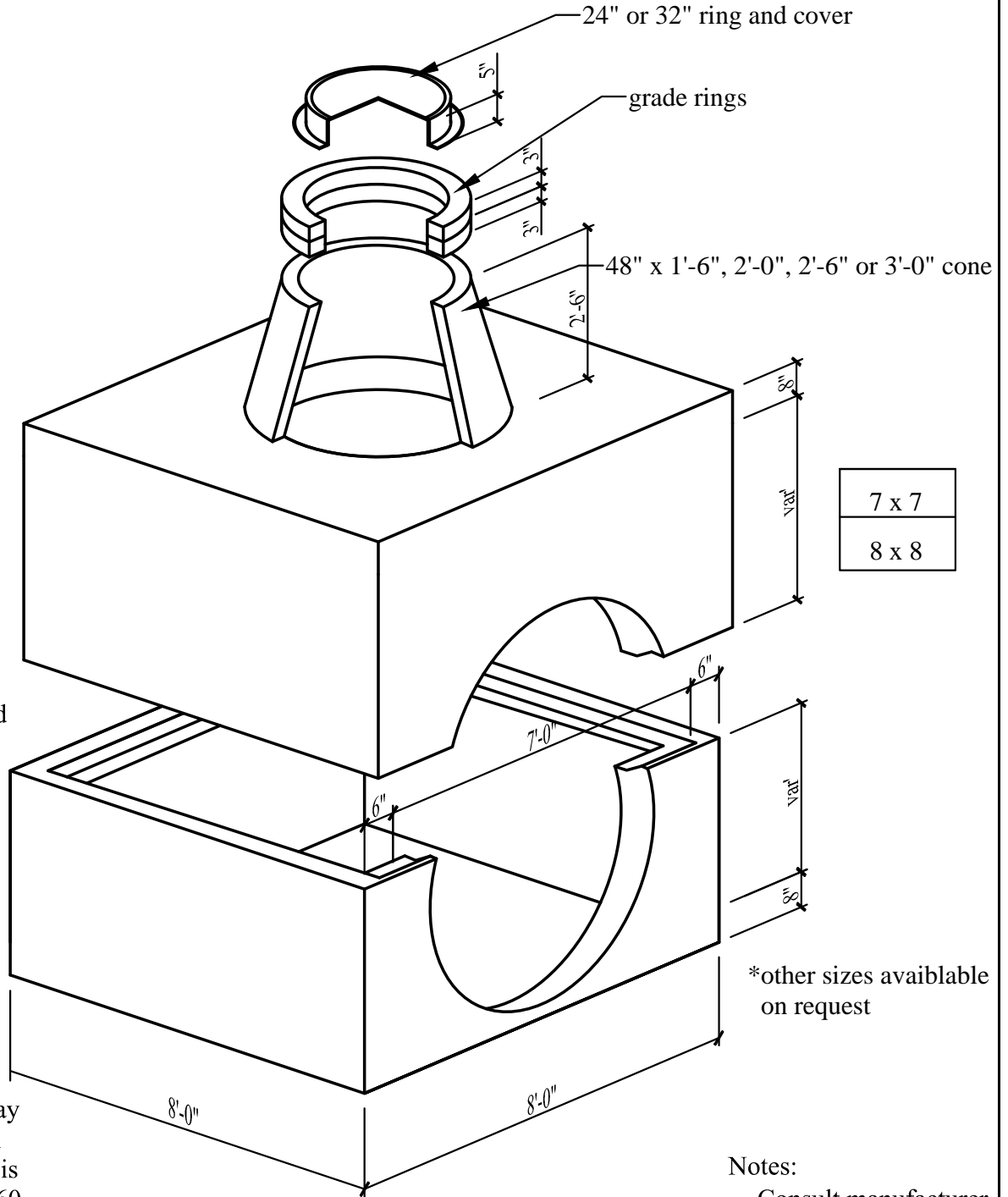


# Junction Box / Manhole



Bottom Section  
knockouts as requested

**Specifications:**

- Concrete has a 28 day strength of 5,000 psi
- Steel reinforcement is ASTM A615 grade 60
- Load design is H-20

**Notes:**

- Consult manufacturer before handling



**CAPITAL PRECAST, INC.**

6905 SOUTH OLD BASTROP HWY  
SAN MARCOS, TEXAS 78666  
PH. (830) 606-6200

FOR **Junction Box / Manhole**

JOB

DRAWN	EJ	DATE	9/26/2016	Rev. No.	SHEET
FILE	catalog/junction boxes/78JB with cone				1 of 1