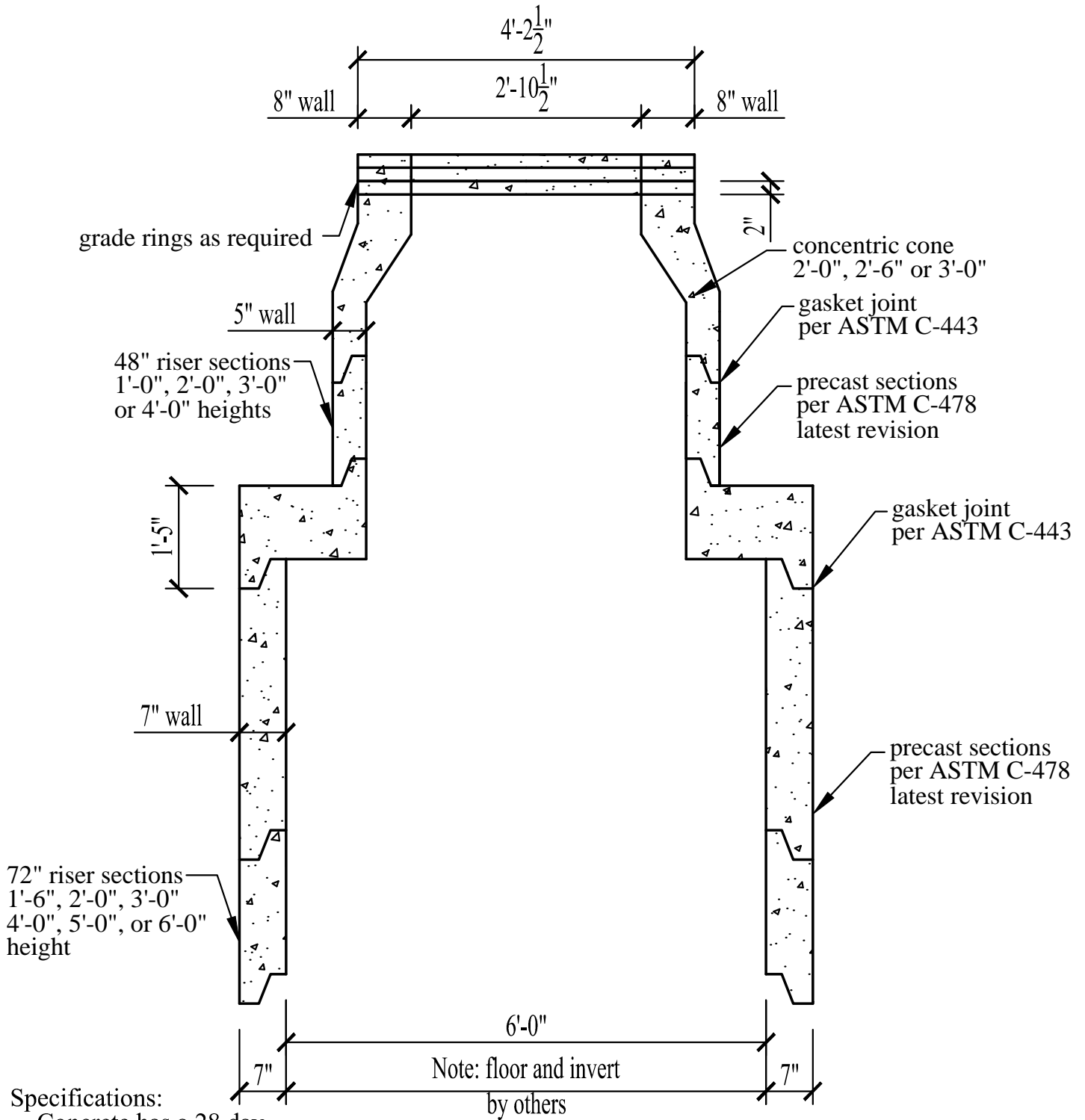


72" / 48" Precast Manhole without Base



Specifications:

- Concrete has a 28 day strength of 5,000 psi
- Steel reinforcement is ASTM A615 grade 60
- Load design is H-20

Notes:

- Consult manufacturer before handling



CAPITAL PRECAST, INC.

6905 SOUTH OLD BASTROP HWY
 SAN MARCOS, TEXAS 78666
 PH. (830) 606-6200

FOR 72" / 48" Precast Manhole without Base

JOB

DRAWN RW

DATE 12/1/2015

Rev. No.

SHEET

FILE catalog/sanitary/72/48ManholewithoutBase

1 OF 1