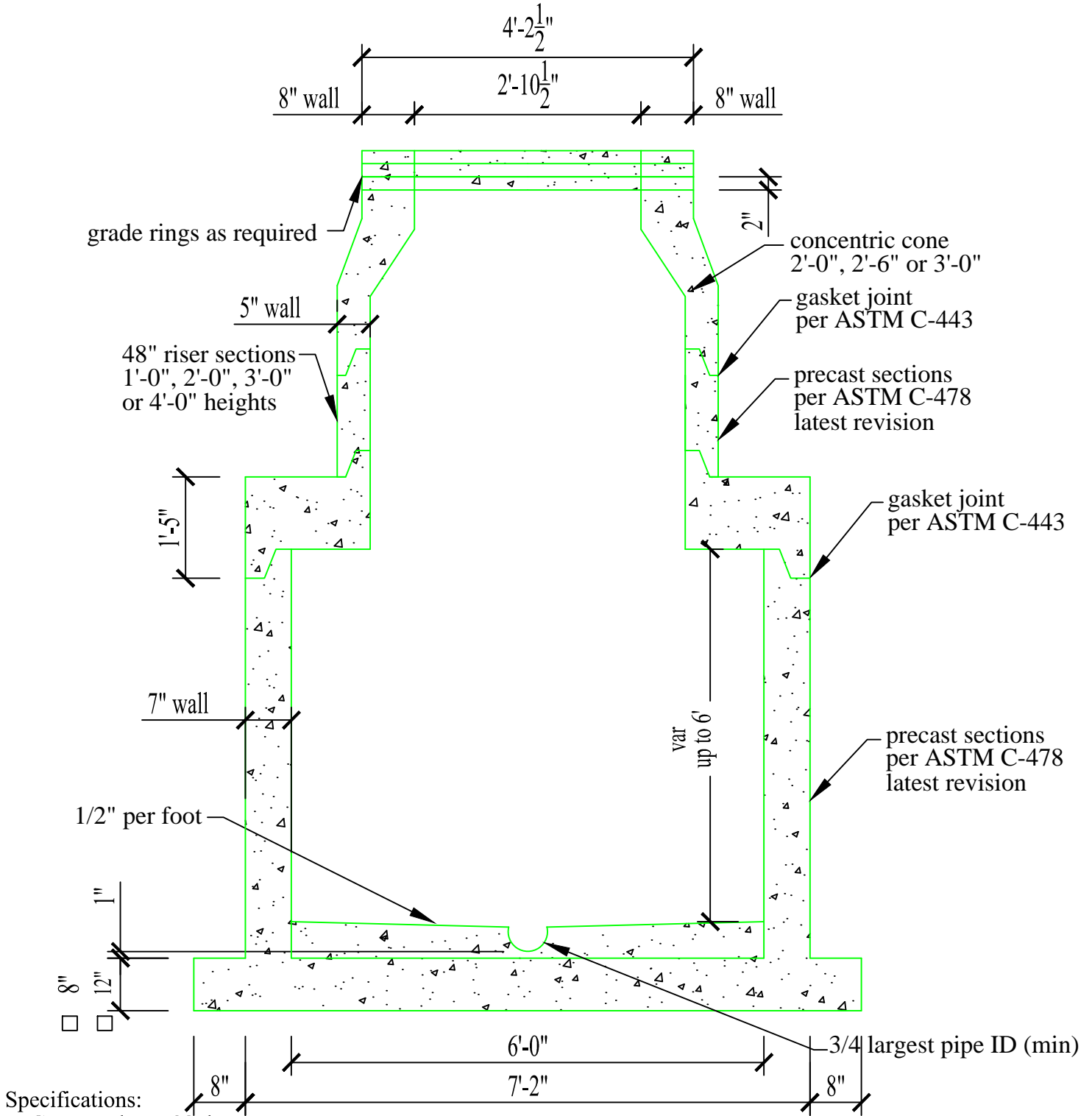


# 72" / 48" Precast Manhole with Extended Base



- Specifications:**
- Concrete has a 28 day strength of 5,000 psi
  - Steel reinforcement is ASTM A615 grade 60
  - Load design is H-20

- Notes:**
- Consult manufacturer before handling



**CAPITAL PRECAST, INC.**

6905 SOUTH OLD BASTROP HWY  
 SAN MARCOS, TEXAS 78666  
 PH. (830) 606-6200

FOR 72" / 48" Precast Manhole with Precast Ext. Base			
JOB			
DRAWN	RW	DATE	Rev. No.
		9/26/2016	
FILE	catalog/sanitary/72.48ManholewithExtBase		
			SHEET
			1 OF 1