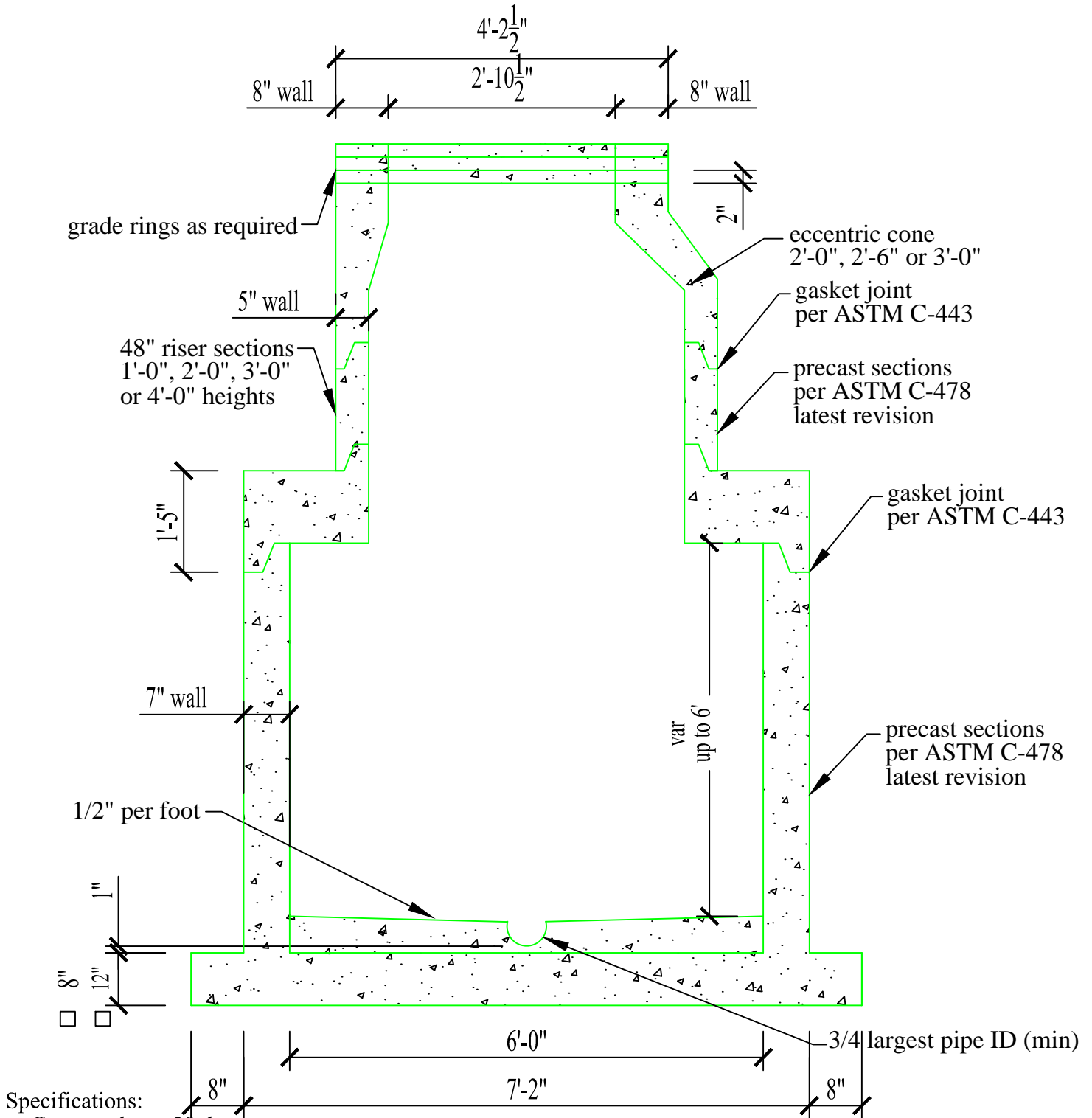


72" / 48" Precast Eccentric Manhole with Extended Base



- Specifications:**
- Concrete has a 28 day strength of 5,000 psi
 - Steel reinforcement is ASTM A615 grade 60
 - Load design is H-20

- Notes:**
- Consult manufacturer before handling



CAPITAL PRECAST, INC.
 6905 SOUTH OLD BASTROP HWY
 SAN MARCOS, TEXAS 78666
 PH. (830) 606-6200

FOR 72" / 48" Precast Ecc. Manhole with Ext. Base			
JOB			
DRAWN	RW	DATE	9/26/2016
Rev. No.		SHEET	
FILE		catalog/sanitary/72.48ManholeEccwithExtBase	
		1 OF 1	