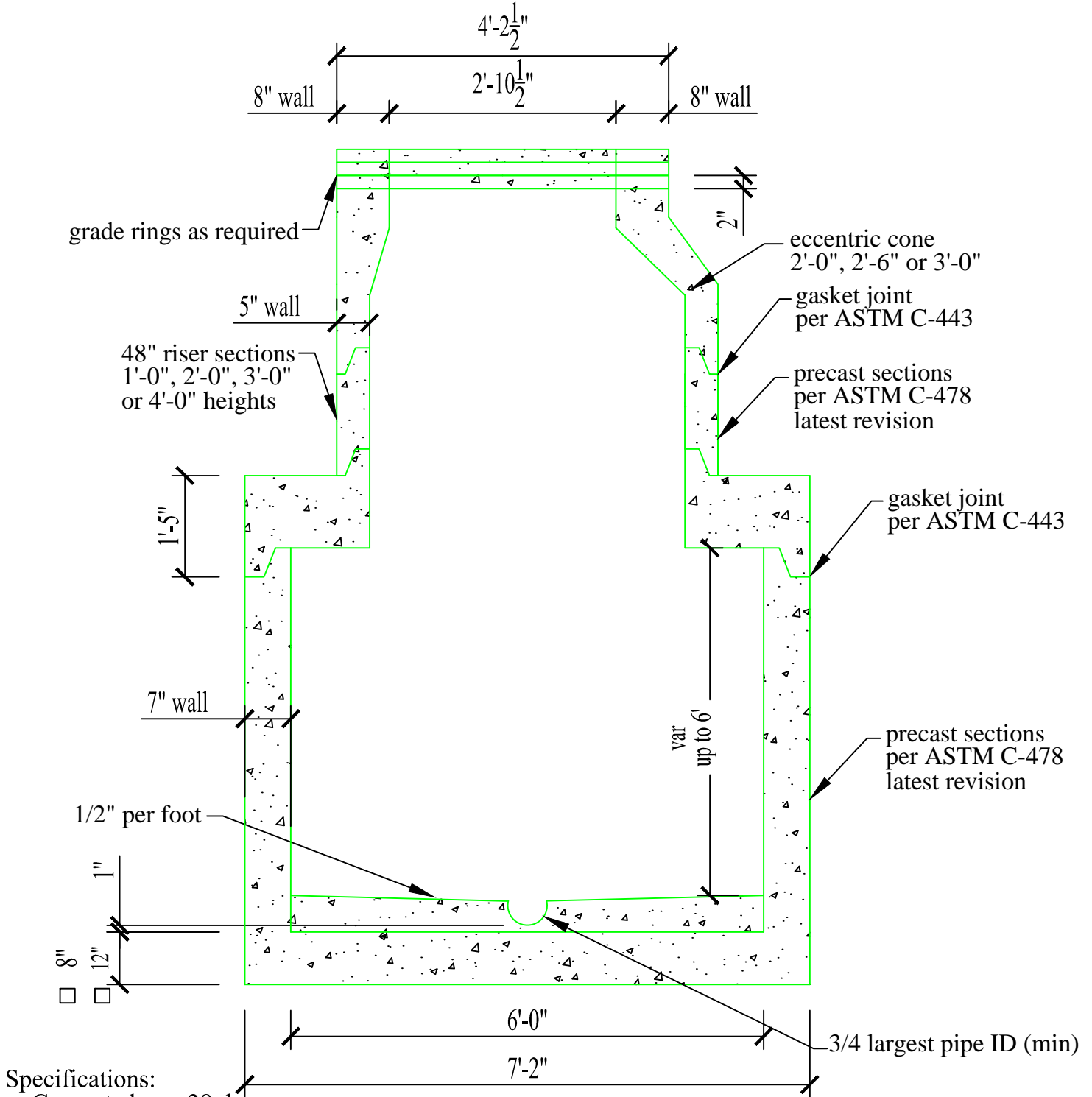


# 72" / 48" Precast Eccentric Manhole with Base



- Specifications:
- Concrete has a 28 day strength of 5,000 psi
  - Steel reinforcement is ASTM A615 grade 60
  - Load design is H-20

- Notes:
- Consult manufacturer before handling



CAPITAL PRECAST, INC.

6905 SOUTH OLD BASTROP HWY  
SAN MARCOS, TEXAS 78666  
PH. (830) 606-6200

FOR 72" / 48" Precast Ecc. Manhole with Precast Base

JOB

DRAWN

RW

DATE

12/1/2015

Rev. No.

SHEET

FILE

catalog/sanitary/72.48ManholeEccwithBase

1 OF 1