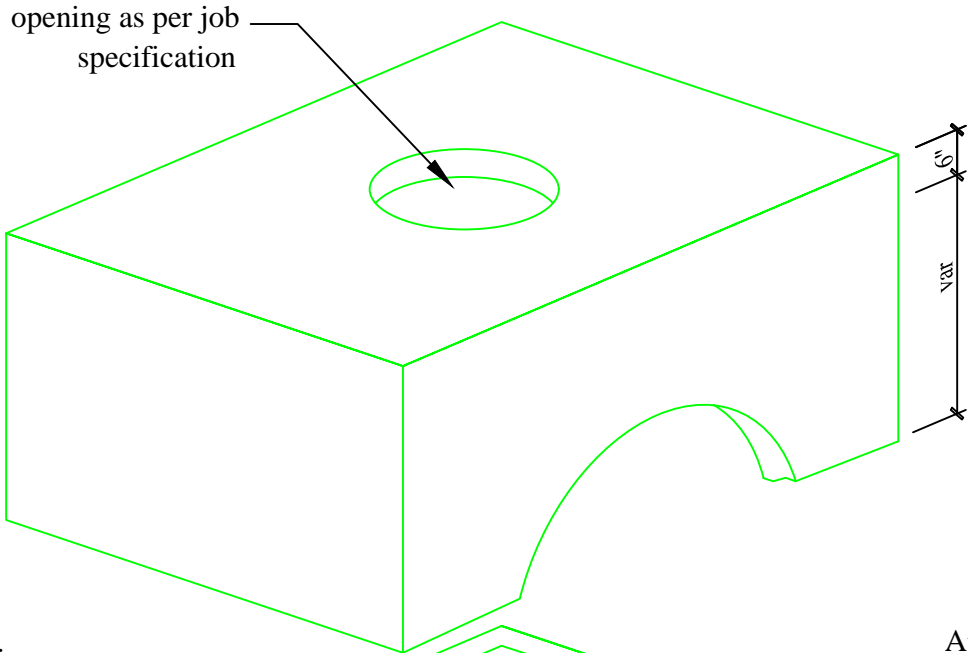
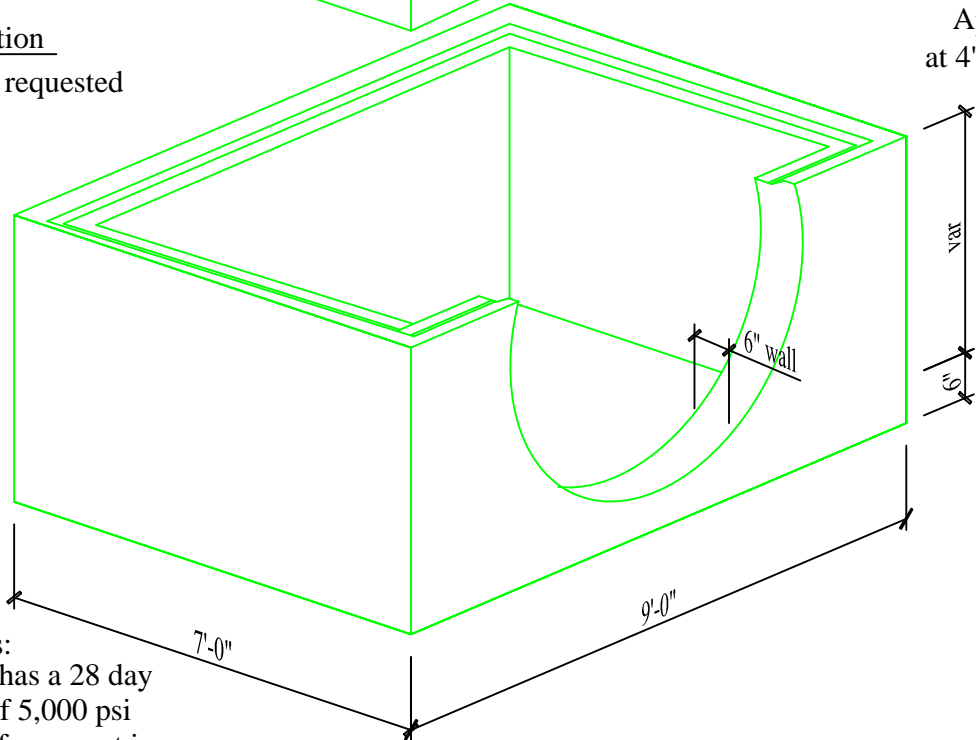


# 6' x 8' x var Junction Box



Bottom Section  
knockouts as requested

Approximate weight  
at 4'-0" height: 13,725 lbs



- Specifications:
- Concrete has a 28 day strength of 5,000 psi
  - Steel reinforcement is ASTM A615 Grade 60
  - Load design is H20

Notes:  
- Consult manufacturer before handling



CAPITAL PRECAST, INC.

6905 SOUTH OLD BASTROP HWY  
SAN MARCOS, TEXAS 78666  
PH. (830) 606-6200

FOR 6' x 8' x var Junction Box

JOB

DRAWN

EJ

DATE

10/07/2016

Rev. No.

SHEET

FILE

catalog/junction boxes/6x8JB

1 OF 1