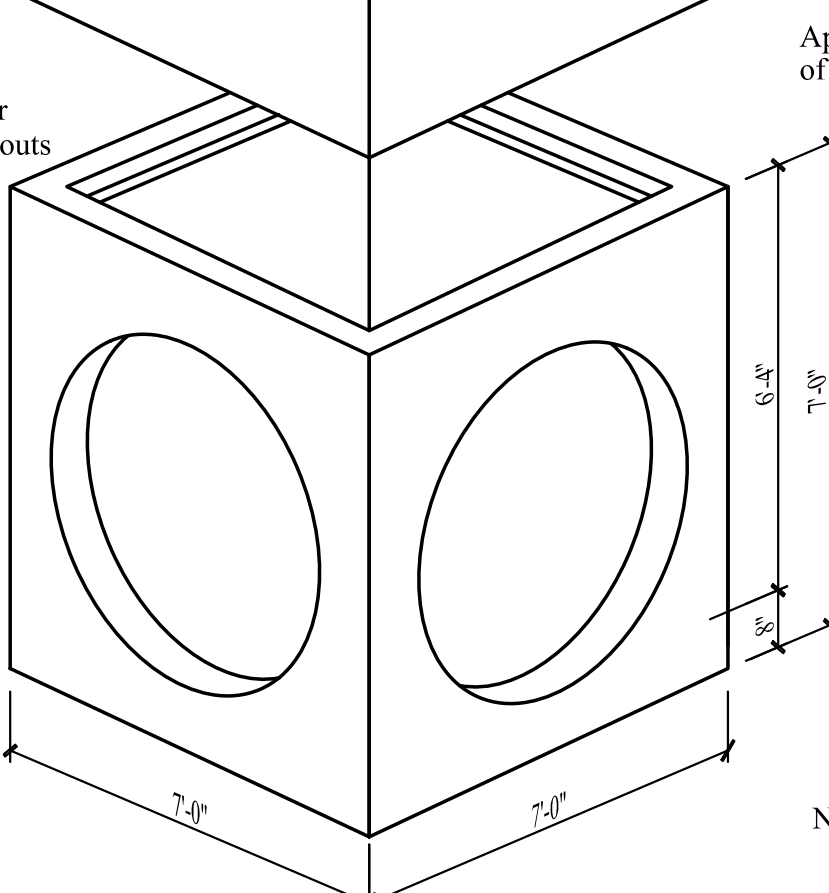
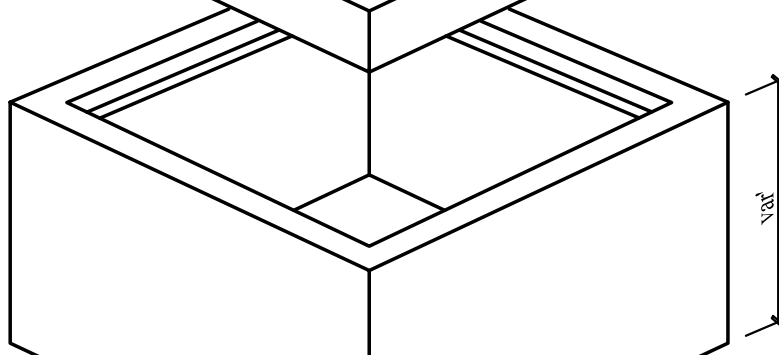
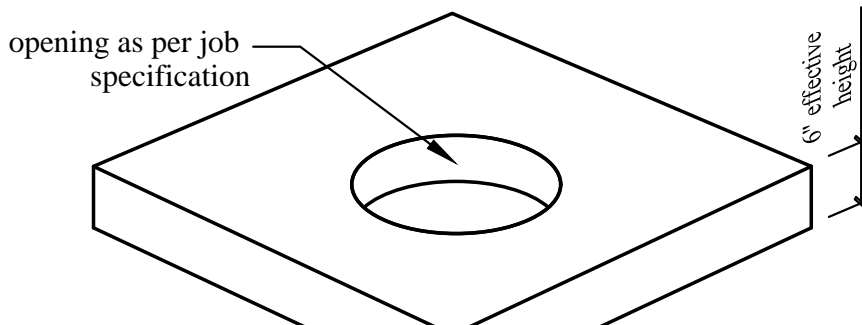


6' x 6' x var Junction Box



opening as per job specification

6" effective height

var

Approximate weight of base: 11,200 lbs

Bottom Section
6" walls and 8" floor
72" dia. thinwall knockouts
all four sides

- Specifications:
- Concrete has a 28 day strength of 5,000 psi
 - Steel reinforcement is ASTM A615 grade 60
 - Load design is H-20

Notes:
- Consult manufacturer before handling



CAPITAL PRECAST, INC.

6905 SOUTH OLD BASTROP HWY
SAN MARCOS, TEXAS 78666
PH. (830) 606-6200

FOR 6' x 6' x var Junction Box

JOB

DRAWN

RW

DATE

12/1/2015

Rev. No.

SHEET

FILE

catalog/junction boxes/6x6JB

1 OF 1