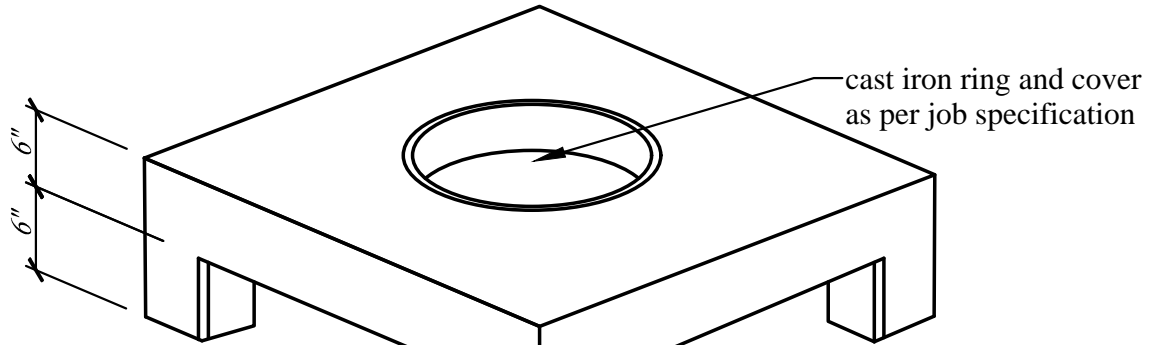


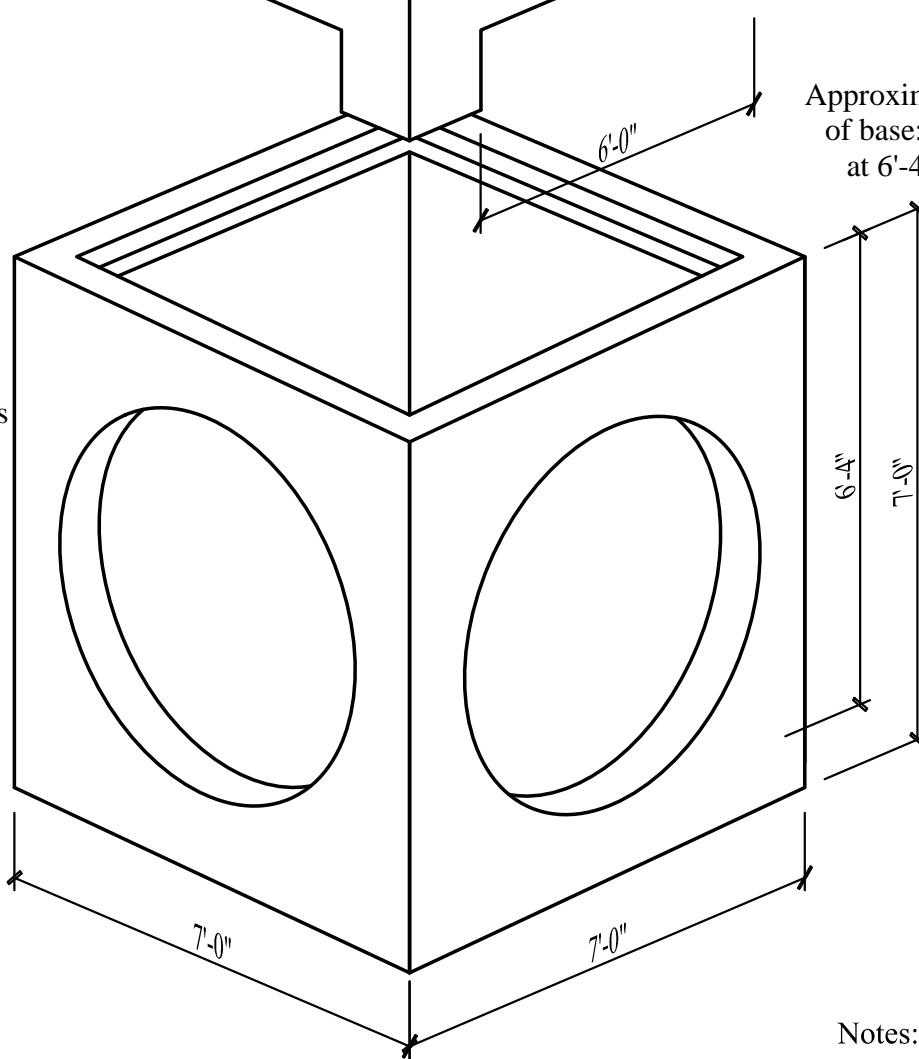
6' x 6' x var 4-Way Inlet



Approximate weight of base: 11,200 lbs at 6'-4" height

Bottom Section

72" dia thinwall knockouts all four sides



Specifications:

- Concrete has a 28 day strength of 5,000 psi
- Steel reinforcement is ASTM A615 grade 60
- Load design is H-20

Notes:

- Consult manufacturer before handling



CAPITAL PRECAST, INC.

6905 SOUTH OLD BASTROP HWY
SAN MARCOS, TEXAS 78666
PH. (830) 606-6200

FOR 6' x 6' x var 4-Way Inlet

JOB

DRAWN

RW

DATE

12/1/2015

Rev. No.

SHEET

FILE

catalog/areainlets/6x6 area inlet

1 OF 1