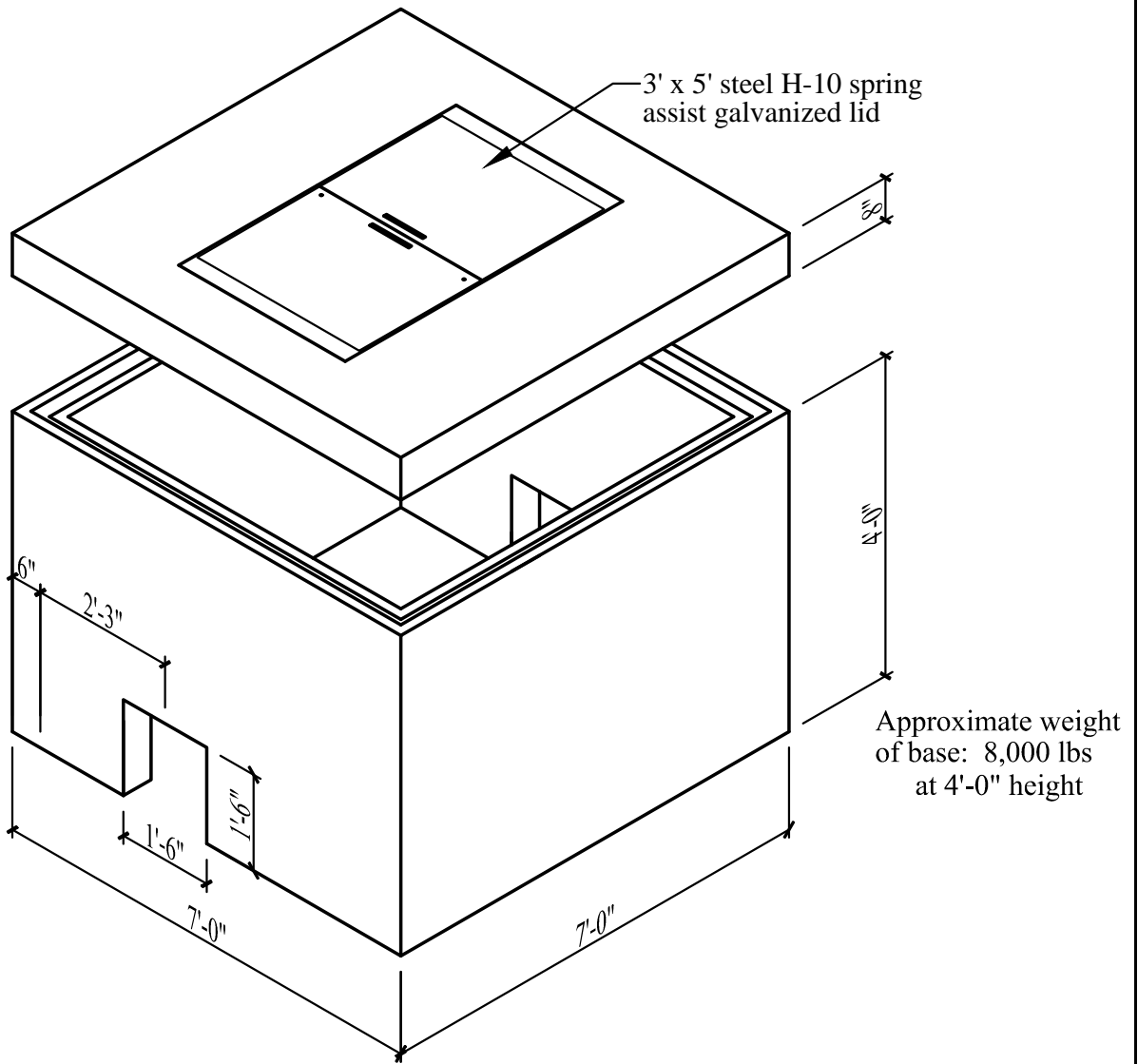


6' x 6' x var Utility Vault Bexar Met

Bottom Section
doghouse shown
*no floor



Approximate weight
of base: 8,000 lbs
at 4'-0" height

Specifications:

- Concrete has a 28 day strength of 5,000 psi
- Steel reinforcement is ASTM A615 Grade 60
- Load design is H-20

Notes:

- Consult manufacturer before handling



CAPITAL PRECAST, INC.

6905 SOUTH OLD BASTROP HWY
SAN MARCOS, TEXAS 78666
PH. (830) 606-6200

FOR 6' x 6' x var Utility Vault - Bexar Met

JOB

DRAWN	RW	DATE	12/1/2015	Rev. No.	SHEET
FILE					1 OF 1

catalog/vaults/6x6Utility Vault Bexar Met