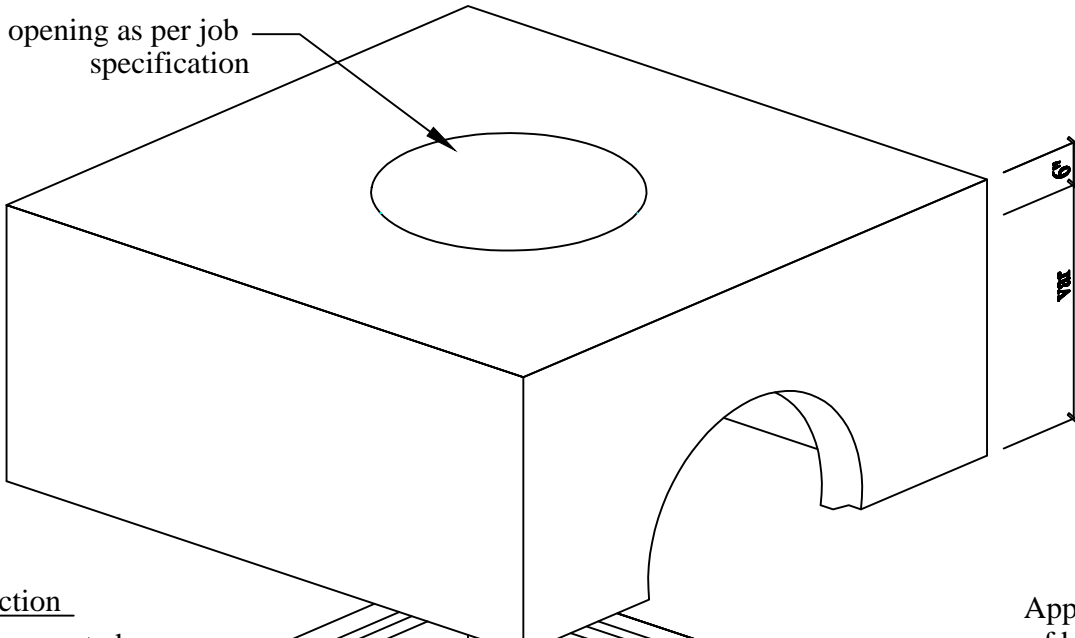
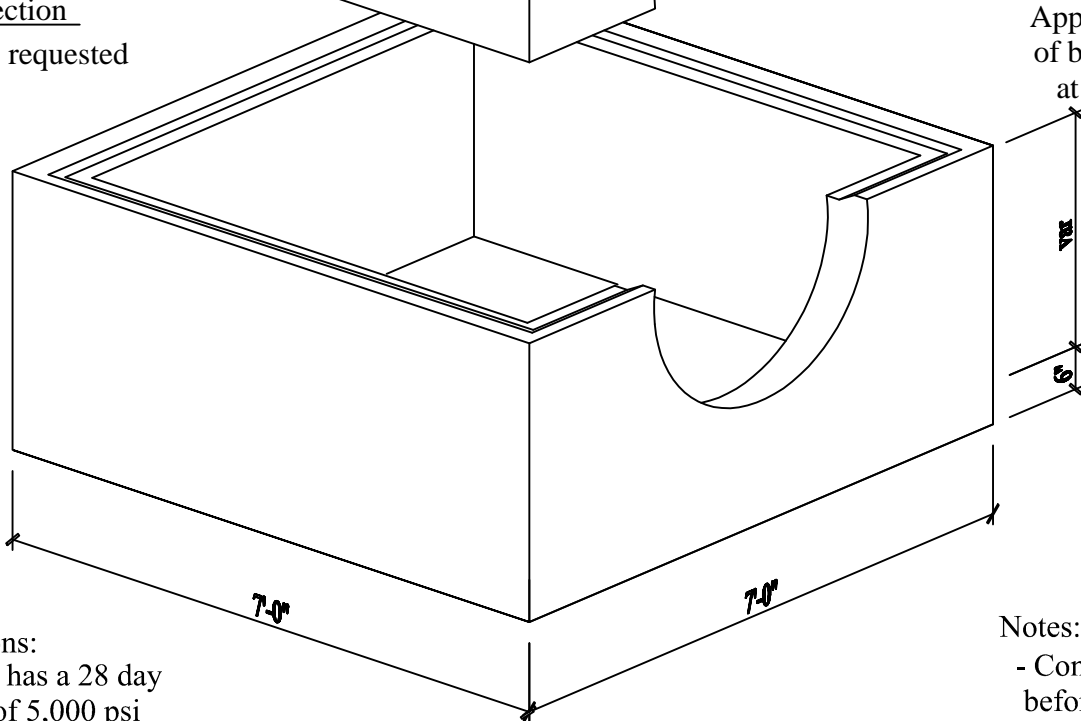


6' x 6' x var Junction Box



Bottom Section
knockouts as requested



Approximate weight of base: 8,400 lbs at 3'-0" height

Specifications:

- Concrete has a 28 day strength of 5,000 psi
- Steel reinforcement is ASTM A615 grade 60
- Load design is H-20

Notes:

- Consult manufacturer before handling
- The structure shall be placed on a compacted granular base



CAPITAL PRECAST, INC.

6905 SOUTH OLD BASTROP HWY
SAN MARCOS, TEXAS 78666
PH. (830) 606-6200

FOR 6' x 6' x var' Junction Box

JOB

DRAWN

RW

DATE

8/1/2013

Rev. No.

SHEET

FILE

catalog/junction boxes/6x6-2piece

1 OF 1