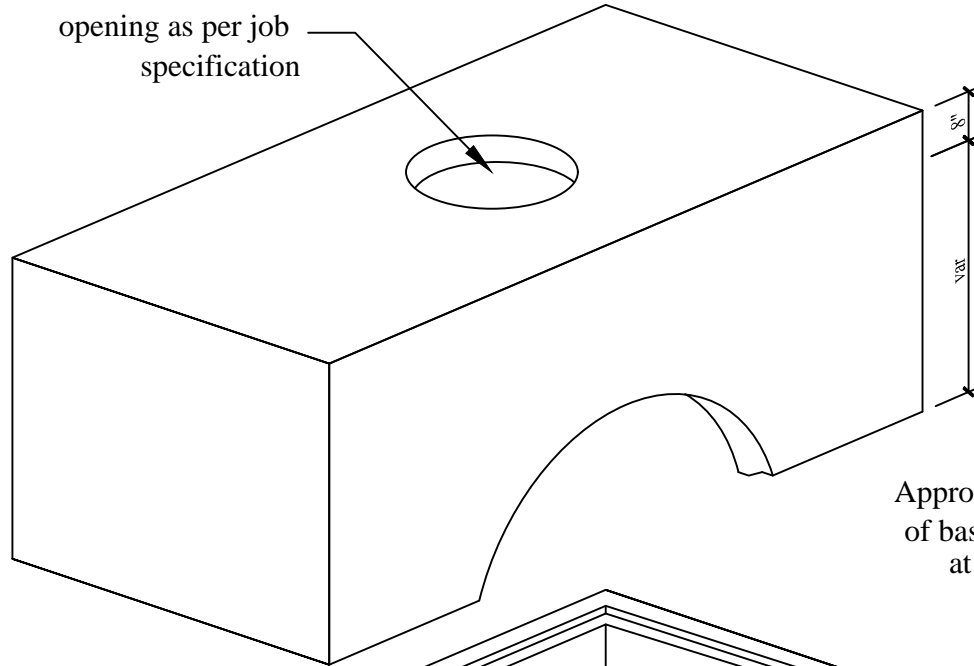
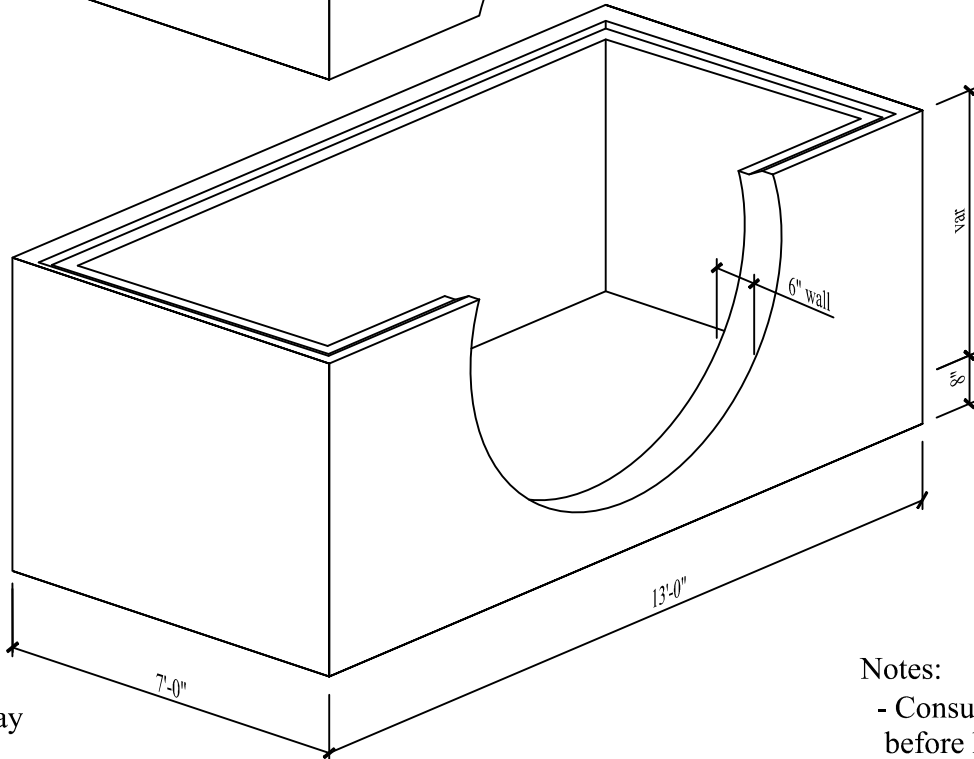


6' x 12' x var Junction Box



Approximate weight
of base: 17,800 lbs
at 3'-0" height

Bottom Section
knockouts as requested



- Specifications:
- Concrete has a 28 day strength of 5,000 psi
 - Steel reinforcement is ASTM A615 grade 60
 - Load design is H-20

- Notes:
- Consult manufacturer before handling
 - The structure shall be placed on a compacted granular base



CAPITAL PRECAST, INC.

6905 SOUTH OLD BASTROP HWY
SAN MARCOS, TEXAS 78666
PH. (830) 606-6200

FOR 6' x 12' x var Junction Box

JOB

DRAWN

RW

DATE

12/1/2015

Rev. No.

SHEET

FILE

catalog/junction boxes/6x12JB

1 OF 1