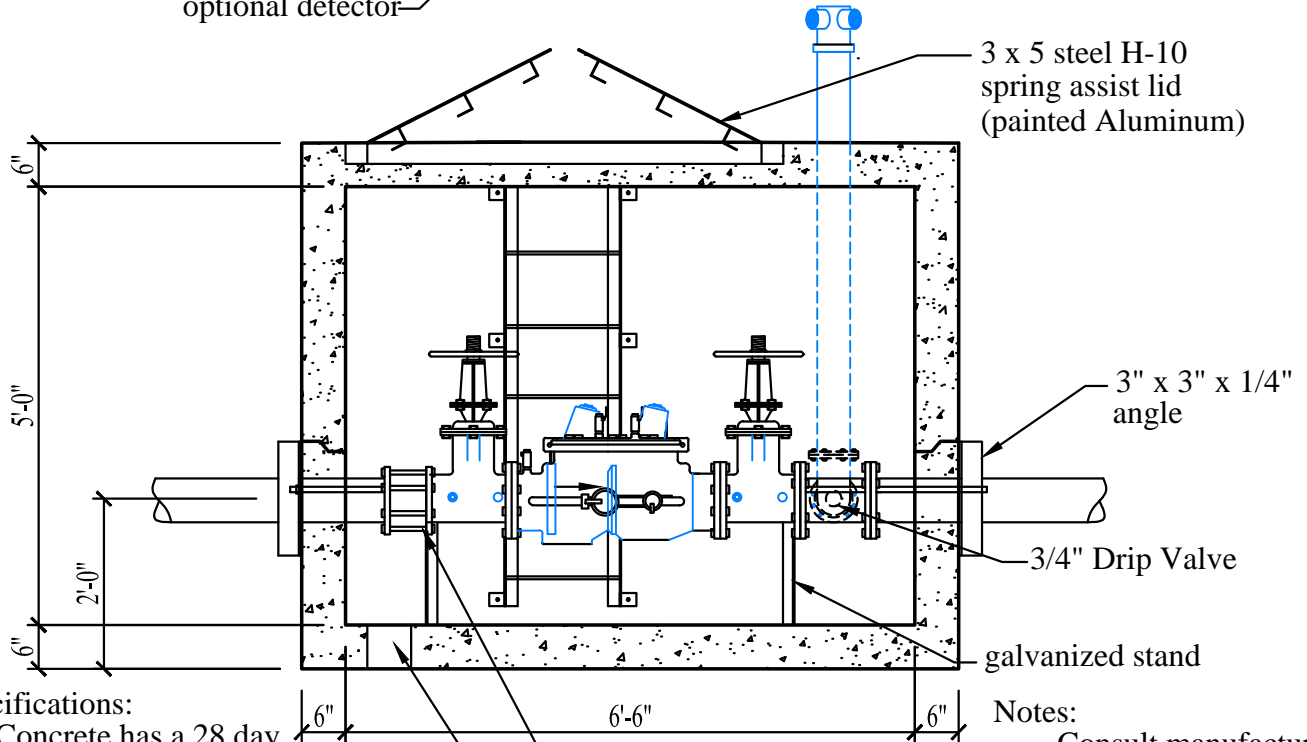
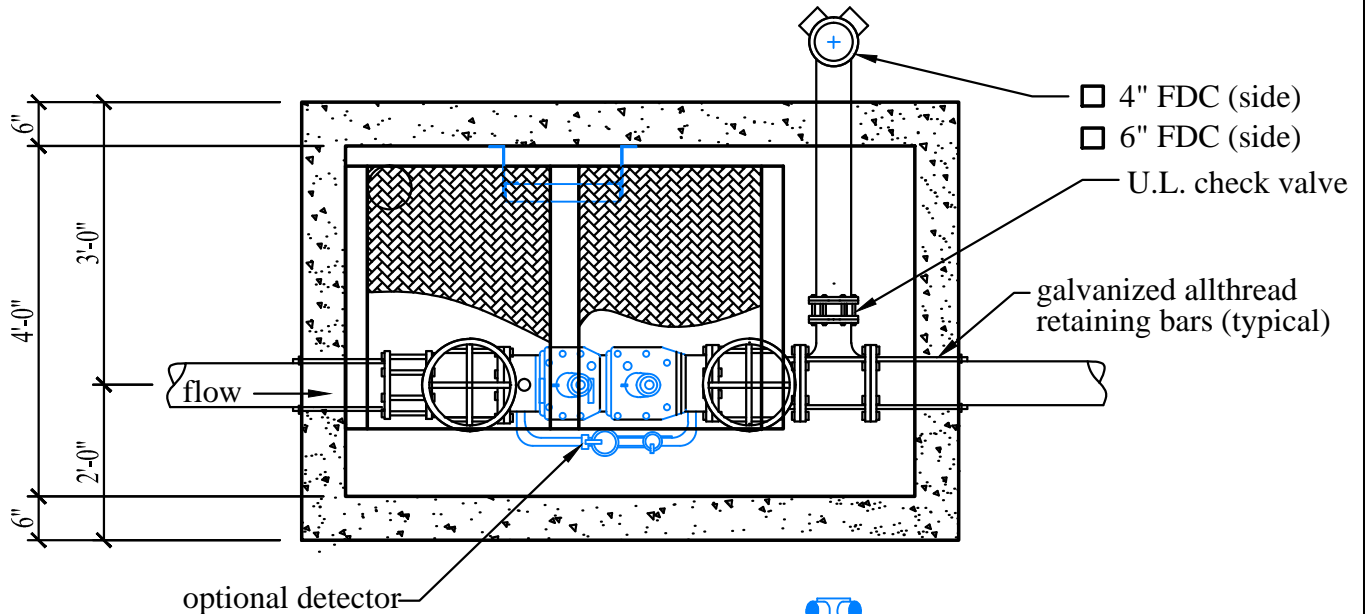


- 6" Double Check with FDC
- 6" Double Detector Check with FDC

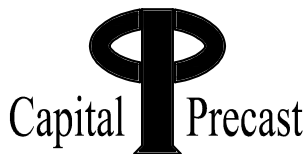


**Specifications:**

- Concrete has a 28 day strength of 5,000 psi
- Steel reinforcement is ASTM A615 grade 60
- Load design is H-10

**Notes:**

- Consult manufacturer before handling
- The structure shall be placed on a compacted granular base



**CAPITAL PRECAST, INC.**

6905 SOUTH OLD BASTROP HWY  
 SAN MARCOS, TEXAS 78666  
 PH. (830) 606-6200

FOR 6" DC/DDC with FDC

JOB

DRAWN

RW

DATE

12/5/2014

ENG. No.

SHEET

1 OF 1

FILE

f:/users/renee/autoCAD/6dcddcwwith4fdcside