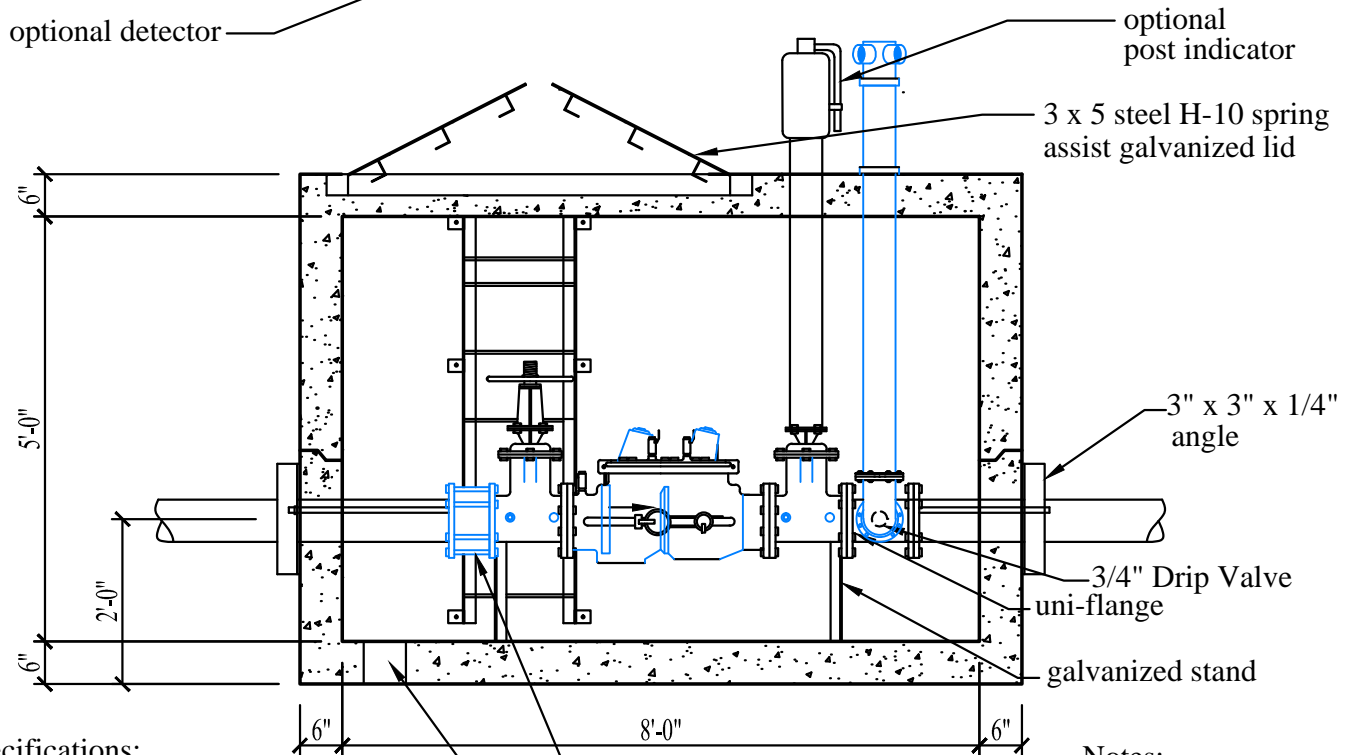
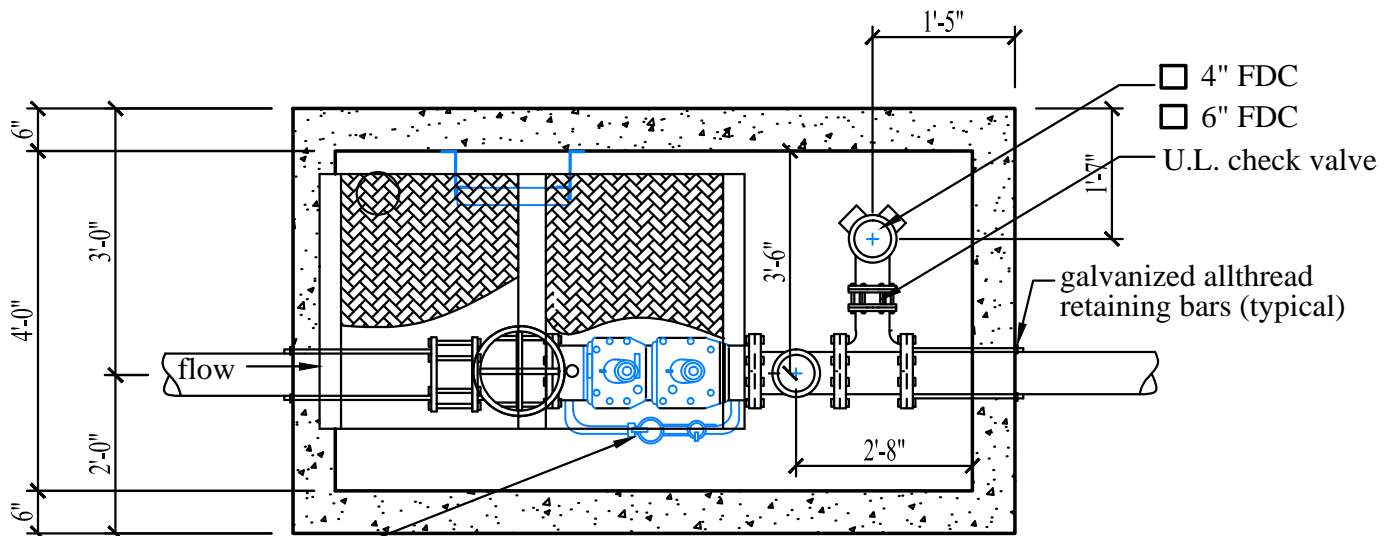


- 6" Double Check Assembly with FDC and Post Indicator
- 6" Double Check Detector Assembly with FDC and Post Ind.



- Specifications:
- Concrete has a 28 day strength of 5,000 psi
 - Steel reinforcement is ASTM A615 grade 60
 - Load design is H-10

- Notes:
- Consult manufacturer before handling
 - The structure shall be placed on a compacted granular base



CAPITAL PRECAST, INC.

800 WATSON LANE EAST
NEW BRAUNFELS, TEXAS 78130
PH. (830) 606-6200

FOR 6" DC/DCD Assembly with FDC and Post Indicator

JOB

DRAWN

RW

DATE

2/20/2013

Rev. No.

SHEET

FILE

catalog/backflow assembly/6 dc dcd fdc_post

1 OF 1