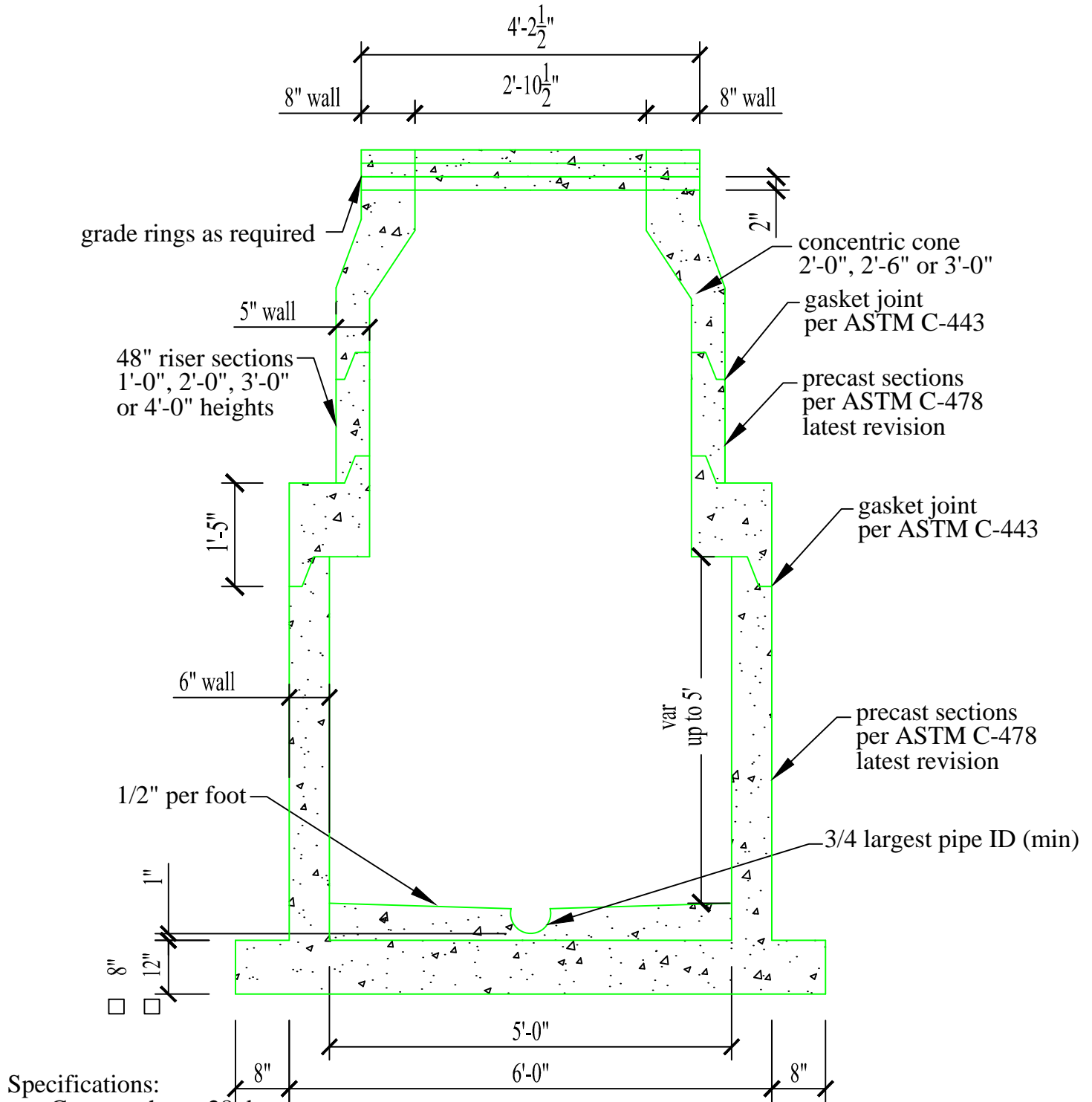


60" / 48" Precast Manhole with Extended Base



- Specifications:
- Concrete has a 28 day strength of 5,000 psi
 - Steel reinforcement is ASTM A615 Grade 60

- Notes:
- Consult manufacturer before handling



CAPITAL PRECAST, INC.

6905 SOUTH OLD BASTROP HWY
SAN MARCOS, TEXAS 78666
PH. (830) 606-6200

FOR 60" / 48" Manhole with Extended Base

JOB

DRAWN

RW

DATE

9/26/2016

Rev. No.

SHEET

FILE

catalog/sanitary/60.48 Manhole with Ext. Base

1 OF 1