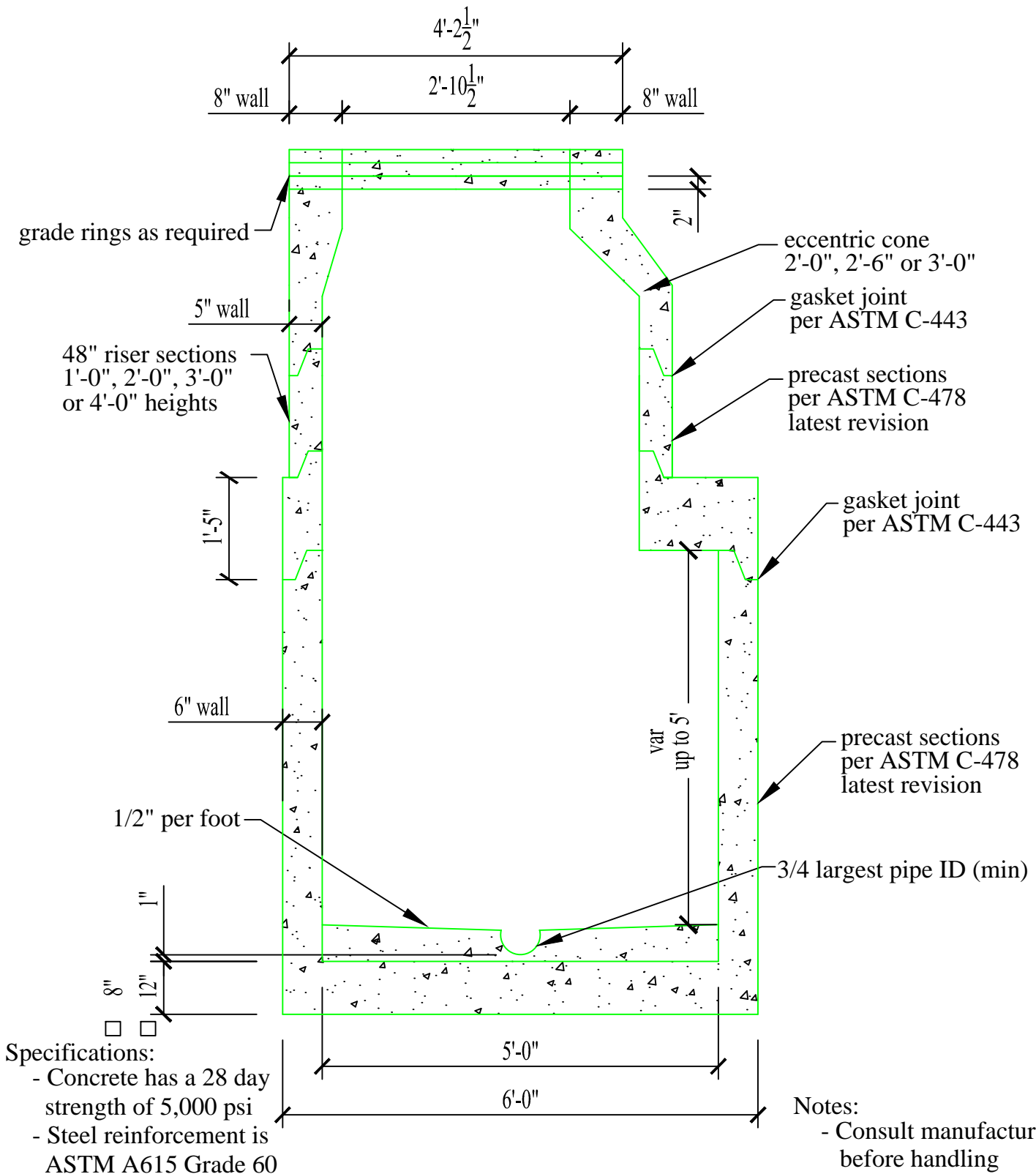


60" / 48" Precast Eccentric Manhole with Base



CAPITAL PRECAST, INC.

6905 SOUTH OLD BASTROP HWY
SAN MARCOS, TEXAS 78666
PH. (830) 606-6200

FOR 60" / 48" Eccentric Manhole with Base

JOB

DRAWN

RW

DATE

12/1/2015

Rev. No.

SHEET

FILE

catalog/sanitary/60.48 Manhole Ecc with Base

1 OF 1