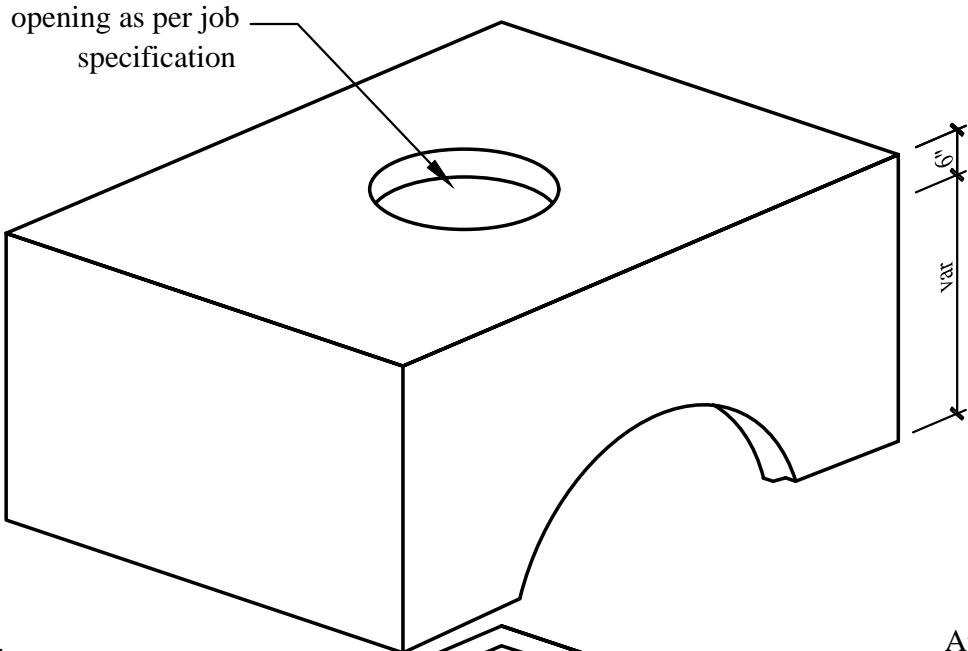
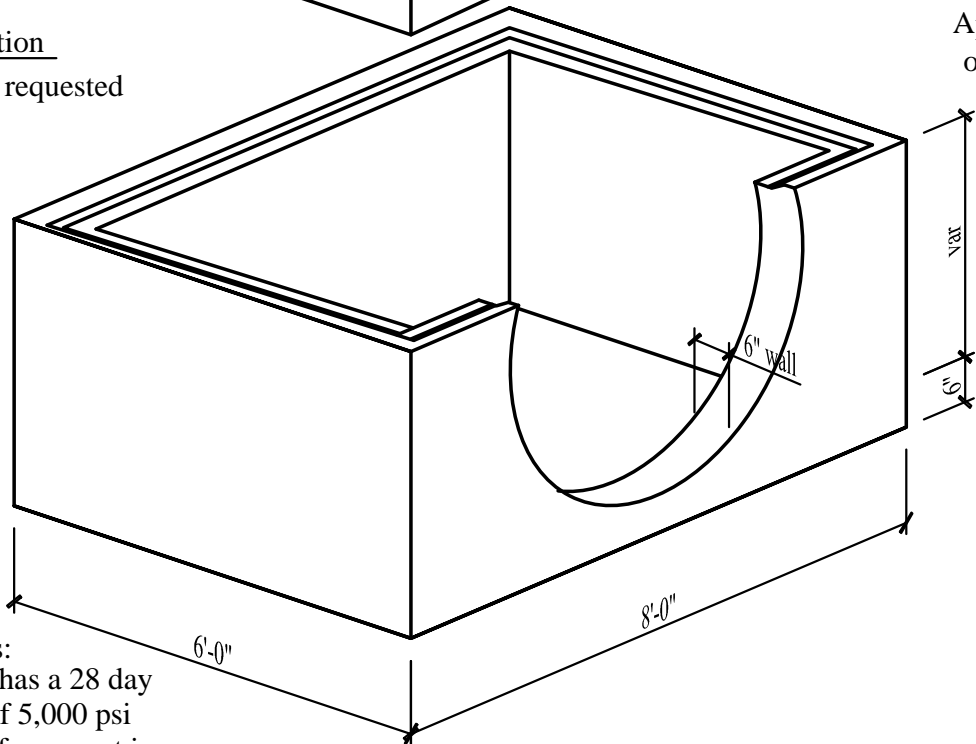


5' x 7' x var Junction Box



Bottom Section
knockouts as requested



Approximate weight
of base: 9,500 lbs
at 3'-0" height

- Specifications:
- Concrete has a 28 day strength of 5,000 psi
 - Steel reinforcement is ASTM A615 Grade 60
 - Load design is H20

Notes:
- Consult manufacturer before handling



CAPITAL PRECAST, INC.

6905 SOUTH OLD BASTROP HWY
SAN MARCOS, TEXAS 78666
PH. (830) 606-6200

FOR 5' x 7' x var Junction Box

JOB

DRAWN

RW

DATE

7/22/2016

Rev. No.

SHEET

FILE

catalog/junction boxes/5x7JB

1 OF 1