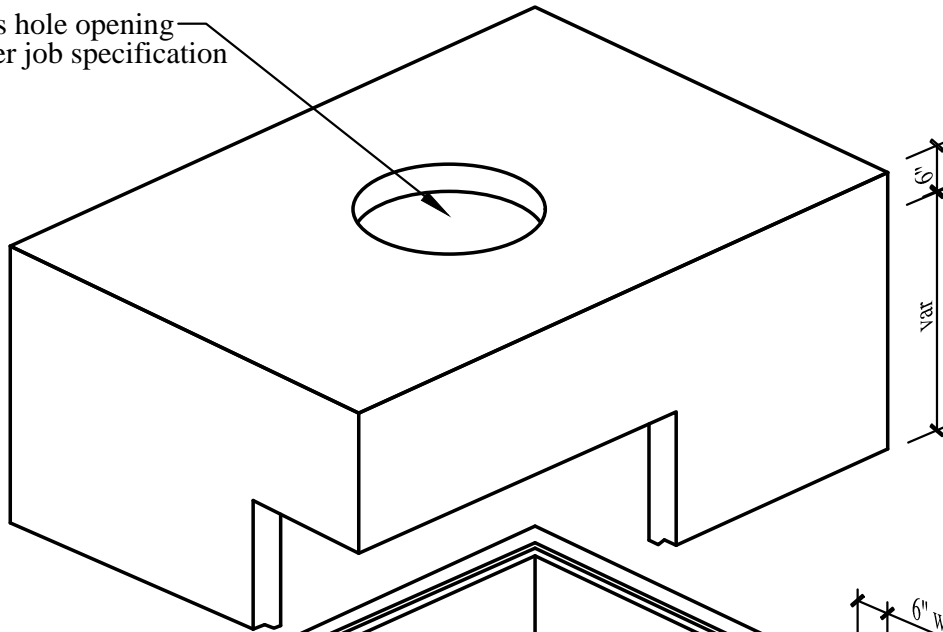


# 5' x 7' x var Electric/Communication Vault

access hole opening  
or lid as per job specification

Approximate  
weight of top:  
10,000 lbs

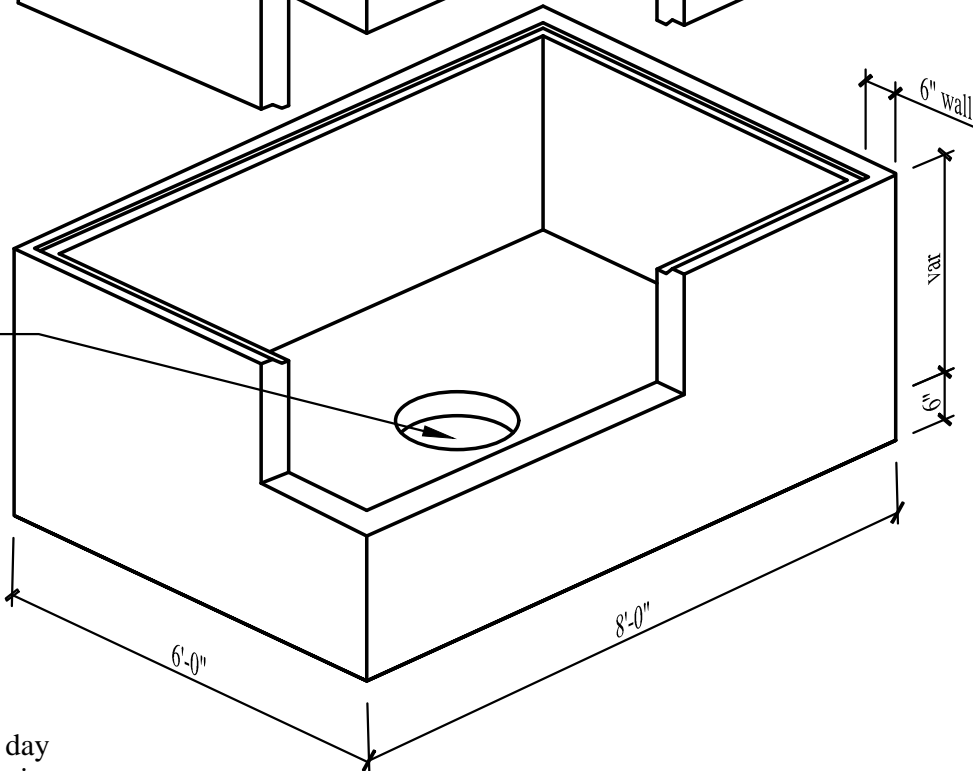


Bottom Section

thinwall knockouts  
or duct terminators  
as requested

sump or drain  
as required

Approximate  
weight of base:  
10,000 lbs



**Specifications:**

- Concrete has a 28 day strength of 5,000 psi
- Steel reinforcement is ASTM A615 Grade 60
- Load design is H20

**Notes:**

- Consult manufacturer before handling



**CAPITAL PRECAST, INC.**

6905 SOUTH OLD BASTROP HWY  
SAN MARCOS, TEXAS 78666  
PH. (830) 606-6200

FOR 5' x 7' x var Electric/Communication Vault

JOB

DRAWN

RW

DATE

12/1/2015

Rev. No.

SHEET

FILE

catalog/elec.comm vault/5x7 Elec. Comm Vault

1 OF 1