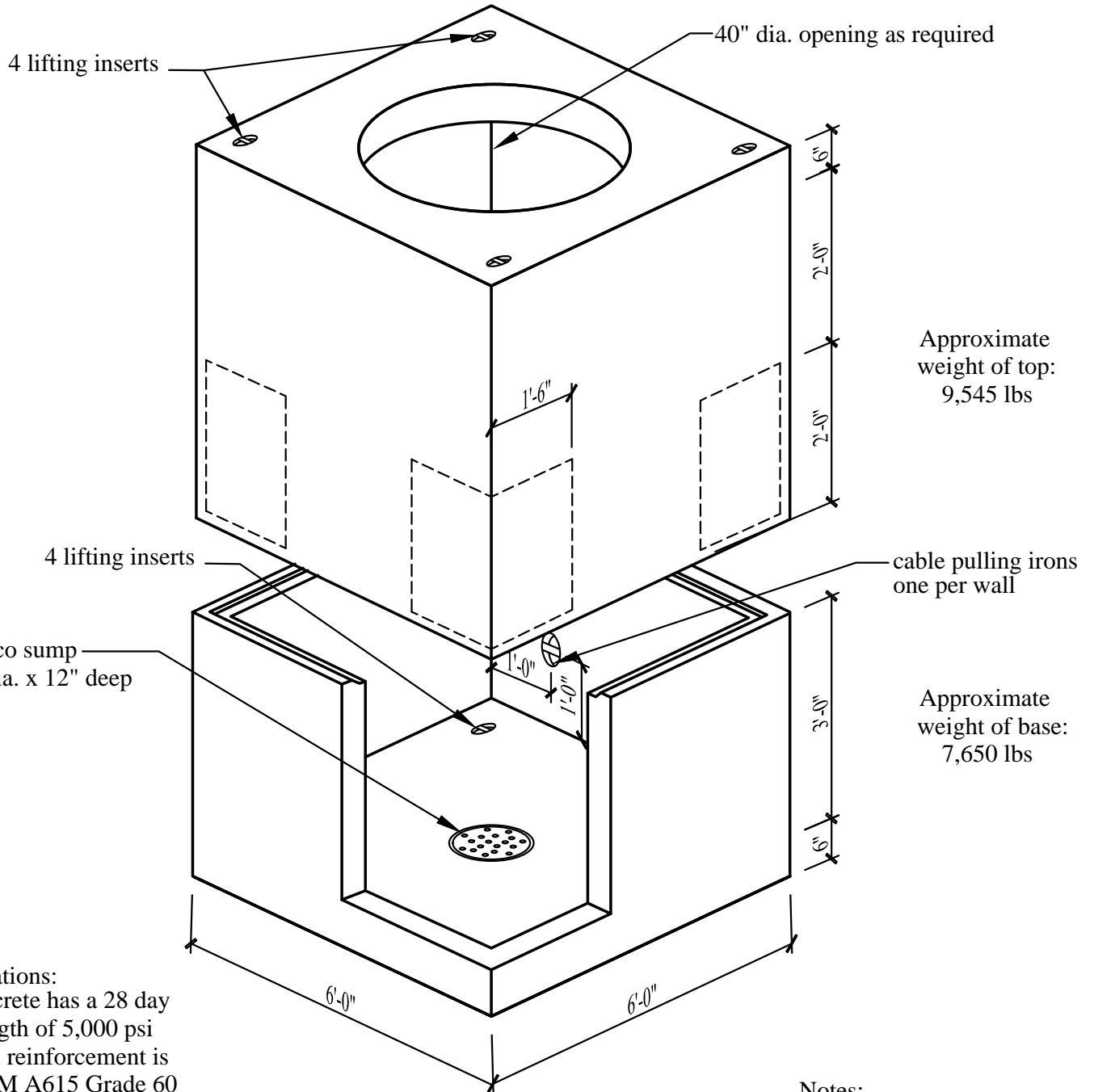


# CPS Precast Manhole

## 5' x 5' x 7'



Approximate weight of top:  
9,545 lbs

Approximate weight of base:  
7,650 lbs

- Specifications:**
- Concrete has a 28 day strength of 5,000 psi
  - Steel reinforcement is ASTM A615 Grade 60
  - Product built in accordance with CPS spec 349-04

- Notes:**
- Consult manufacturer before handling



**CAPITAL PRECAST, INC.**

6905 SOUTH OLD BASTROP HWY  
SAN MARCOS, TEXAS 78666  
PH. (830) 606-6200

FOR 5' x 5' x 7' Manhole - CPS			
JOB			
DRAWN	RW	DATE	12/1/2015
		Rev. No.	SHEET
FILE		catalog/elec.comm vault/5x5x7 Manhole - CPS	
			1 OF 1