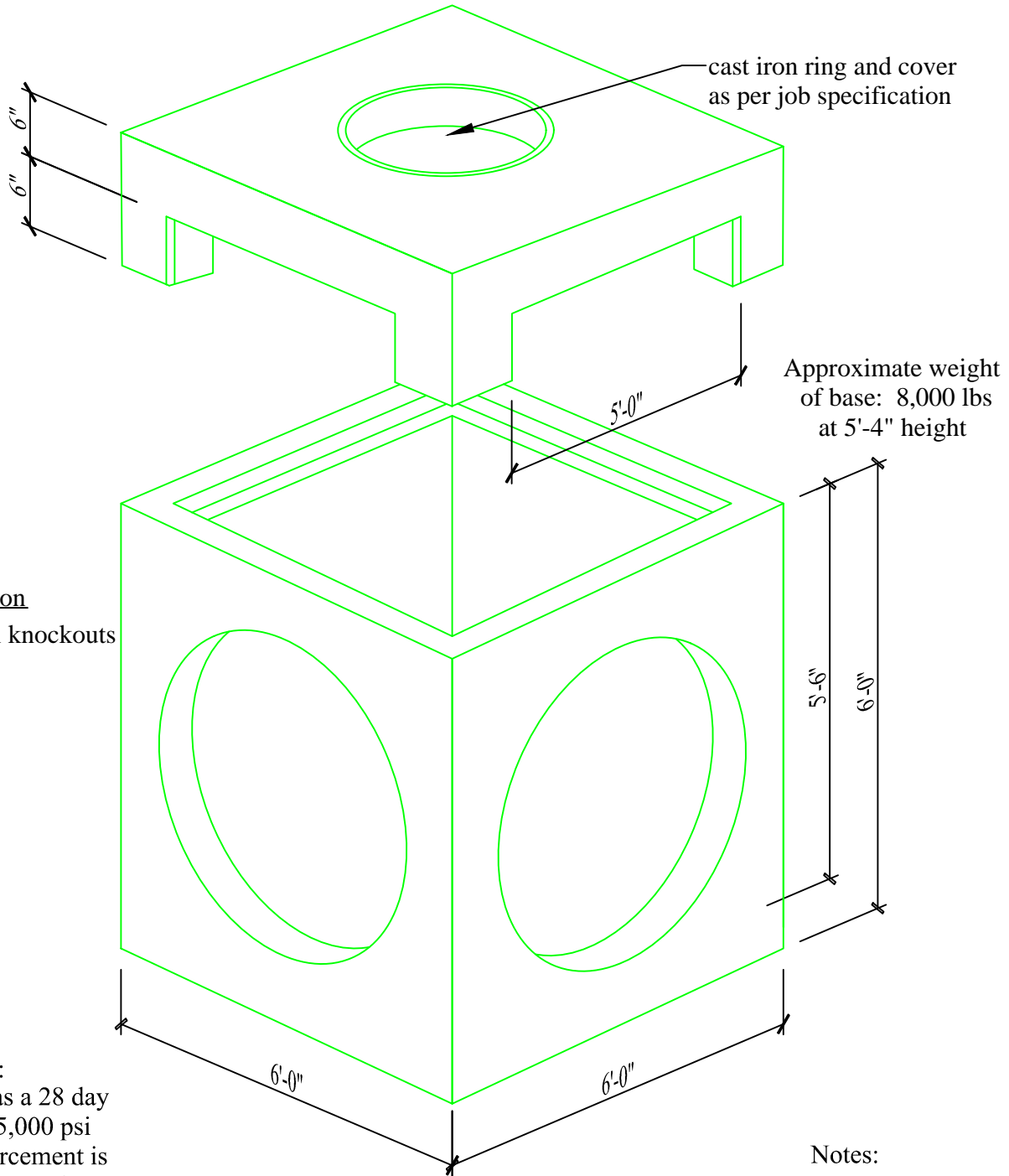


5' x 5' x var 4-Way Inlet



Bottom Section
60" dia thinwall knockouts
all four sides

- Specifications:
- Concrete has a 28 day strength of 5,000 psi
 - Steel reinforcement is ASTM A615 grade 60
 - Load design is H-20

Notes:
- Consult manufacturer before handling



CAPITAL PRECAST, INC.

6905 SOUTH OLD BASTROP HWY
SAN MARCOS, TEXAS 78666
PH. (830) 606-6200

FOR **5' x 5' x var 4-Way Inlet**

JOB

DRAWN	RW	DATE	12/1/2015	Rev. No.	SHEET
FILE	catalog/areainlets/5x5 area inlet				1 OF 1