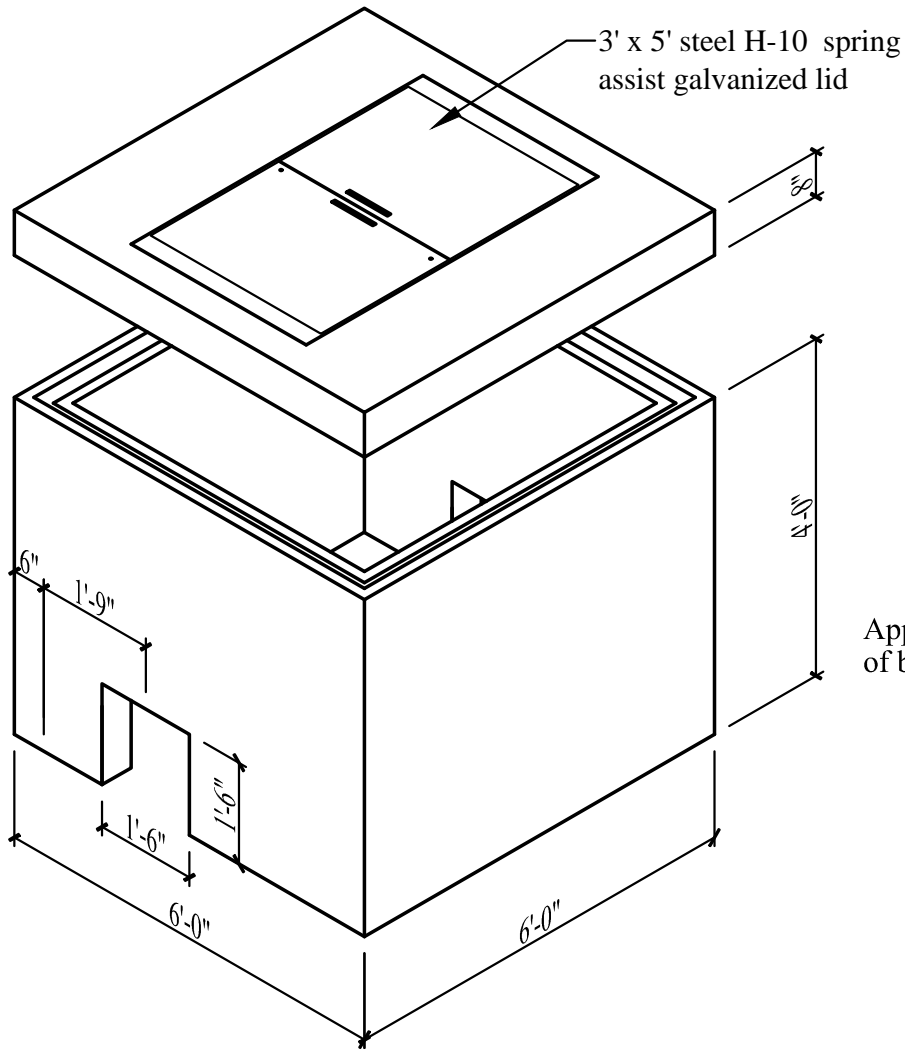


# 5' x 5' x var Utility Vault Bexar Met



Bottom Section  
doghouse knockout shown  
\*no floor

Approximate weight  
of base: 6,800 lbs  
at 4'-0" height

### Specifications:

- Concrete has a 28 day strength of 5,000 psi
- Steel reinforcement is ASTM A615 grade 60
- Load design is H-20

### Notes:

- Consult manufacturer before handling



CAPITAL PRECAST, INC.

6905 SOUTH OLD BASTROP HWY  
SAN MARCOS, TEXAS 78666  
PH. (830) 606-6200

FOR 5' x 5' x var Utility Vault - Bexar Met

JOB

DRAWN

RW

DATE

12/1/2015

Rev. No.

SHEET

FILE

catalog/vaults/5x5UtilityVault

1 OF 1