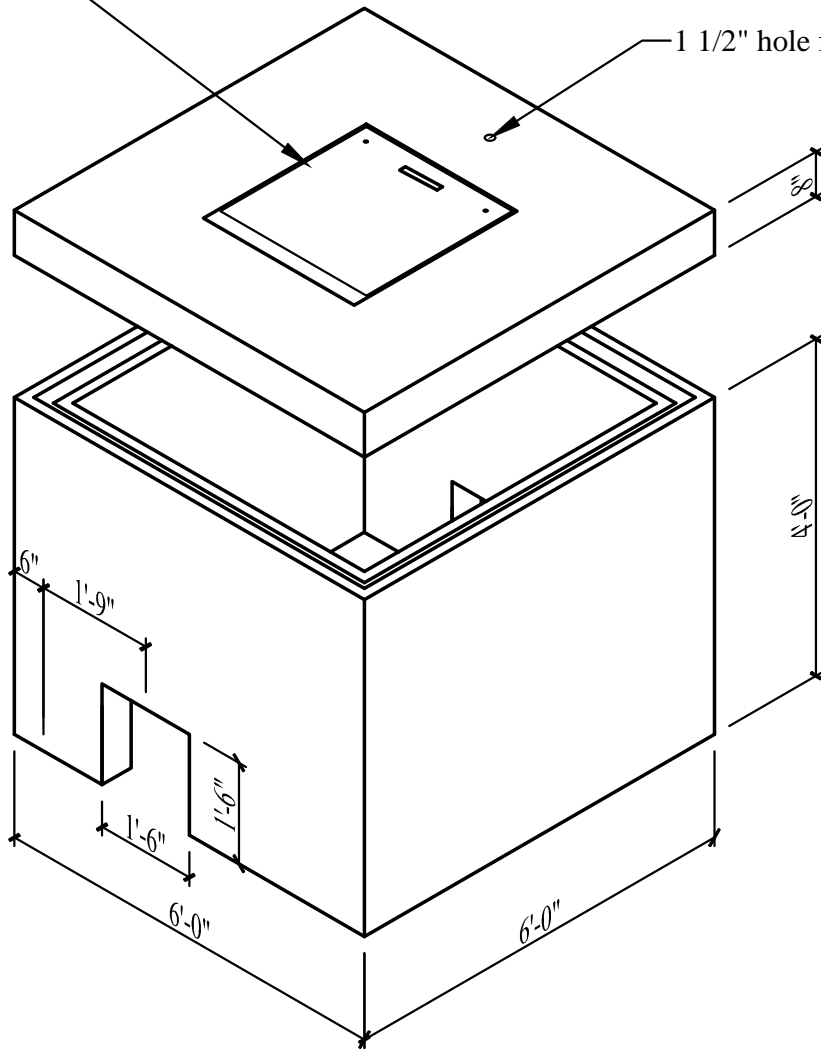


5' x 5' x var Utility Vault San Marcos Meter Vault

30" x 30" steel H-10 spring
assist galvanized lid

1 1/2" hole for touch read

Bottom Section
doghouse knockout shown
*no floor



Approximate weight
of base: 6,800 lbs
at 4'-0" height

Specifications:

- Concrete has a 28 day strength of 5,000 psi
- Steel reinforcement is ASTM A615 grade 60
- Load design is H-20

Notes:

- Consult manufacturer before handling



CAPITAL PRECAST, INC.

6905 SOUTH OLD BASTROP HWY
SAN MARCOS, TEXAS 78666
PH. (830) 606-6200

FOR 5' x 5' x var Meter Vault - San Marcos

JOB

DRAWN RW

DATE 12/1/2015

Rev. No.

SHEET

FILE

catalog/vaults/5x5 Meter Vault San Marcos

1 OF 1