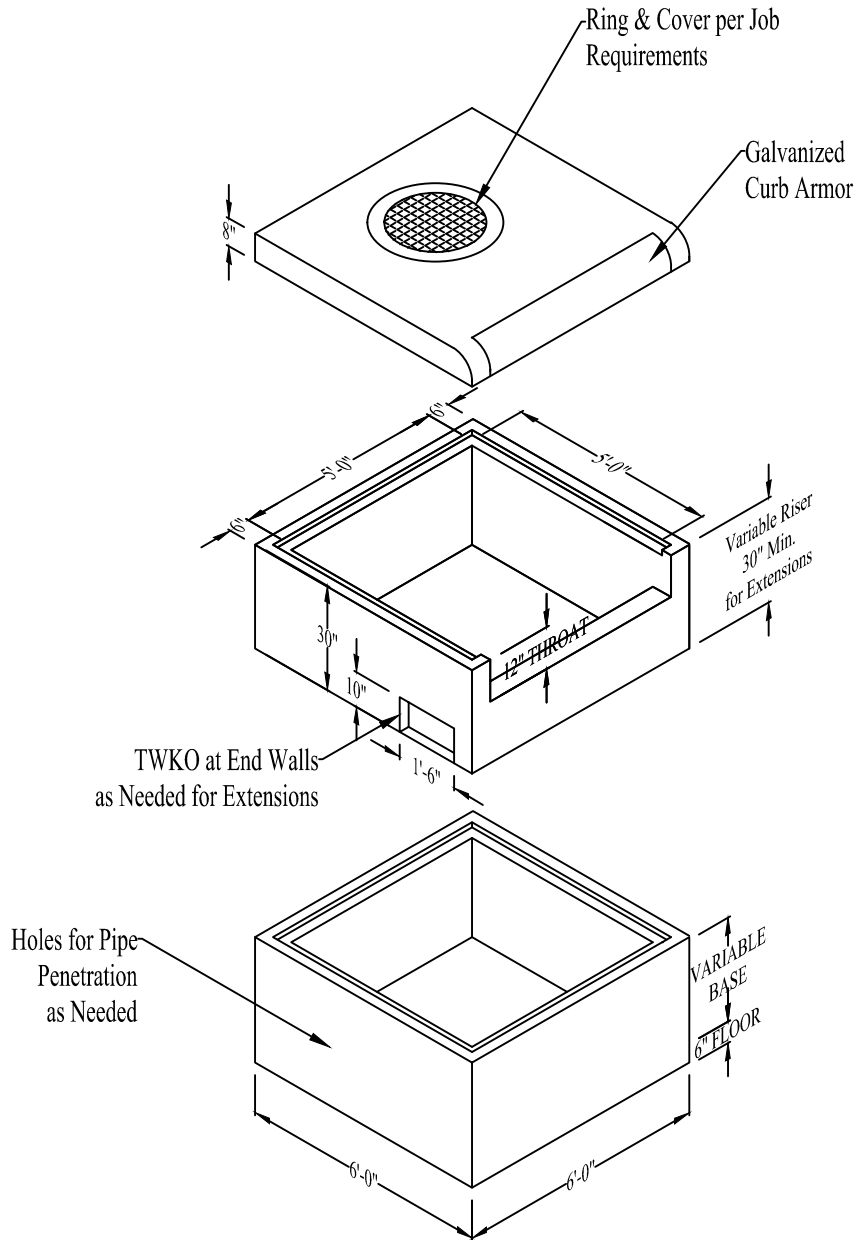


# 5' x 5' Type C-II Curb Inlet



**GENERAL NOTES:**

All concrete to have 28 day compressive strength of 5,000 psi.  
 Reinforcing steel shall comply with ASTM A615 Grade 60.  
 Bar bending and placement shall comply with latest ACI standards.  
 Design based on AASHTO HS 20 loading.

CONSULT MANUFACTURER  
 BEFORE HANDLING



**CAPITAL PRECAST, INC.**

6905 SOUTH OLD BASTROP HWY  
 SAN MARCOS, TEXAS 78666  
 PH. (830) 606-6200

FOR **5x5 Type C-II Curb Inlet**

JOB

DRAWN	DK	DATE	10/25/19	Rev. No.	SHEET
FILE	RemovableDisk(G:)/5x5TY II CurbInlet.dwg				1 OF 1