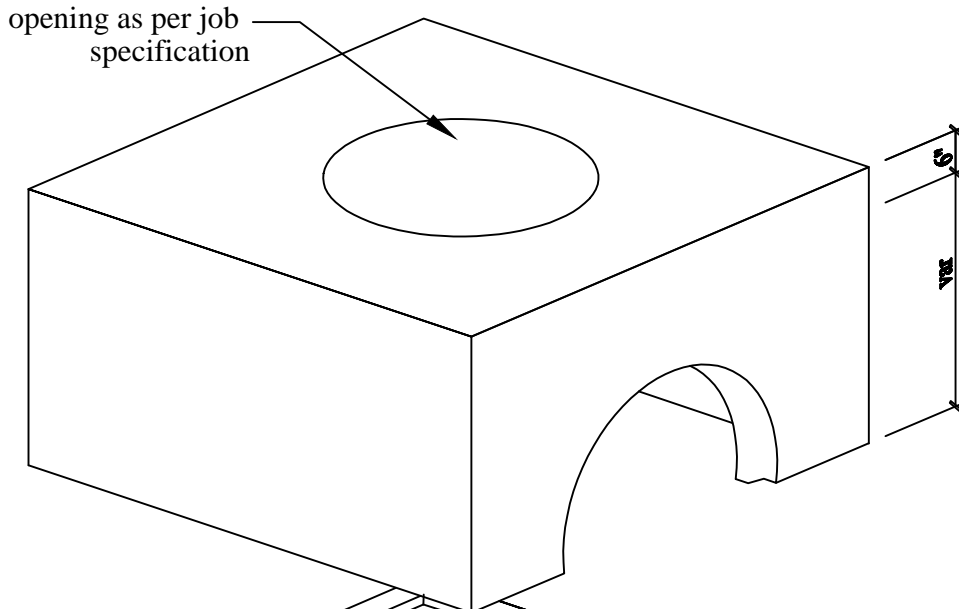
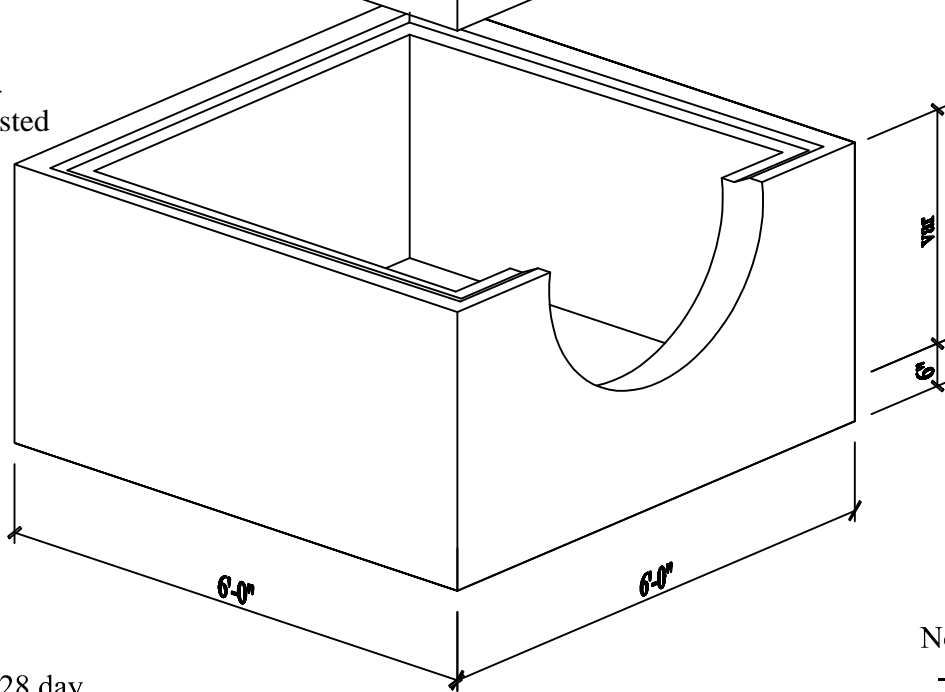


5' x 5' x var Junction Box



Bottom Section
knockouts as requested



Specifications:

- Concrete has a 28 day strength of 5,000 psi
- Steel reinforcement is ASTM A615 grade 60
- Load design is H-20

Notes:

- Consult manufacturer before handling
- The structure shall be placed on a compacted granular base



CAPITAL PRECAST, INC.

6905 SOUTH OLD BASTROP HWY
SAN MARCOS, TEXAS 7866
PH. (830) 606-6200

FOR 5' x 5' x var' Junction Box

JOB

DRAWN RW

DATE 8/1/2013

Rev. No.

SHEET

FILE

catalog/junction boxes/5x5-2piece

1 OF 1