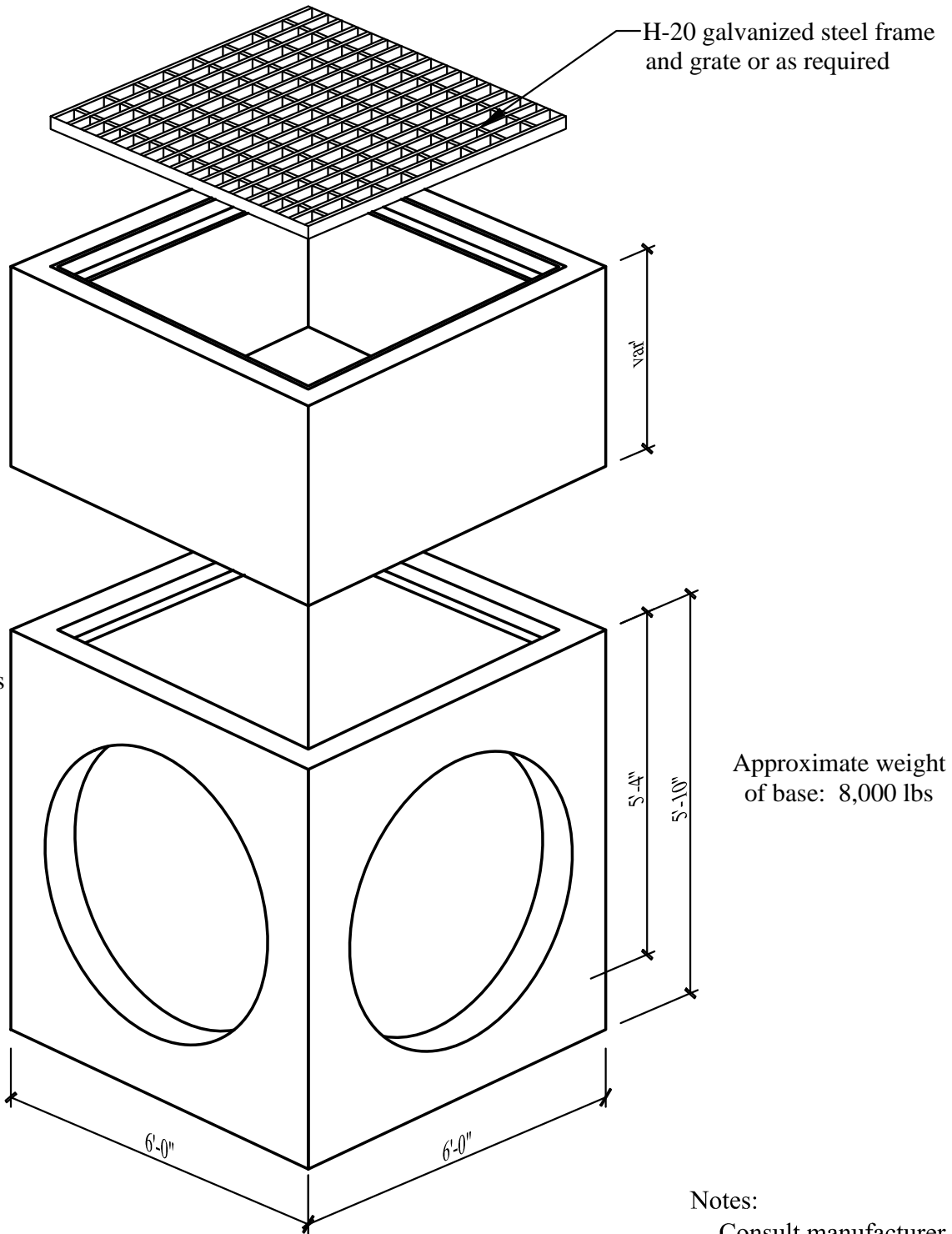


# 5' x 5' x var Grate Inlet



Bottom Section

60" dia thinwall knockouts  
all four sides

Approximate weight  
of base: 8,000 lbs

Specifications:

- Concrete has a 28 day strength of 5,000 psi
- Steel reinforcement is ASTM A615 grade 60
- Load design is H-20

Notes:

- Consult manufacturer before handling



**CAPITAL PRECAST, INC.**

6905 SOUTH OLD BASTROP HWY  
SAN MARCOS, TEXAS 78666  
PH. (830) 606-6200

FOR 5' x 5' x var Grate Inlet

JOB

DRAWN

RW

DATE

12/1/2015

Rev. No.

SHEET

FILE

catalog/grate inlets/5x5 Grate Inlet

1 OF 1