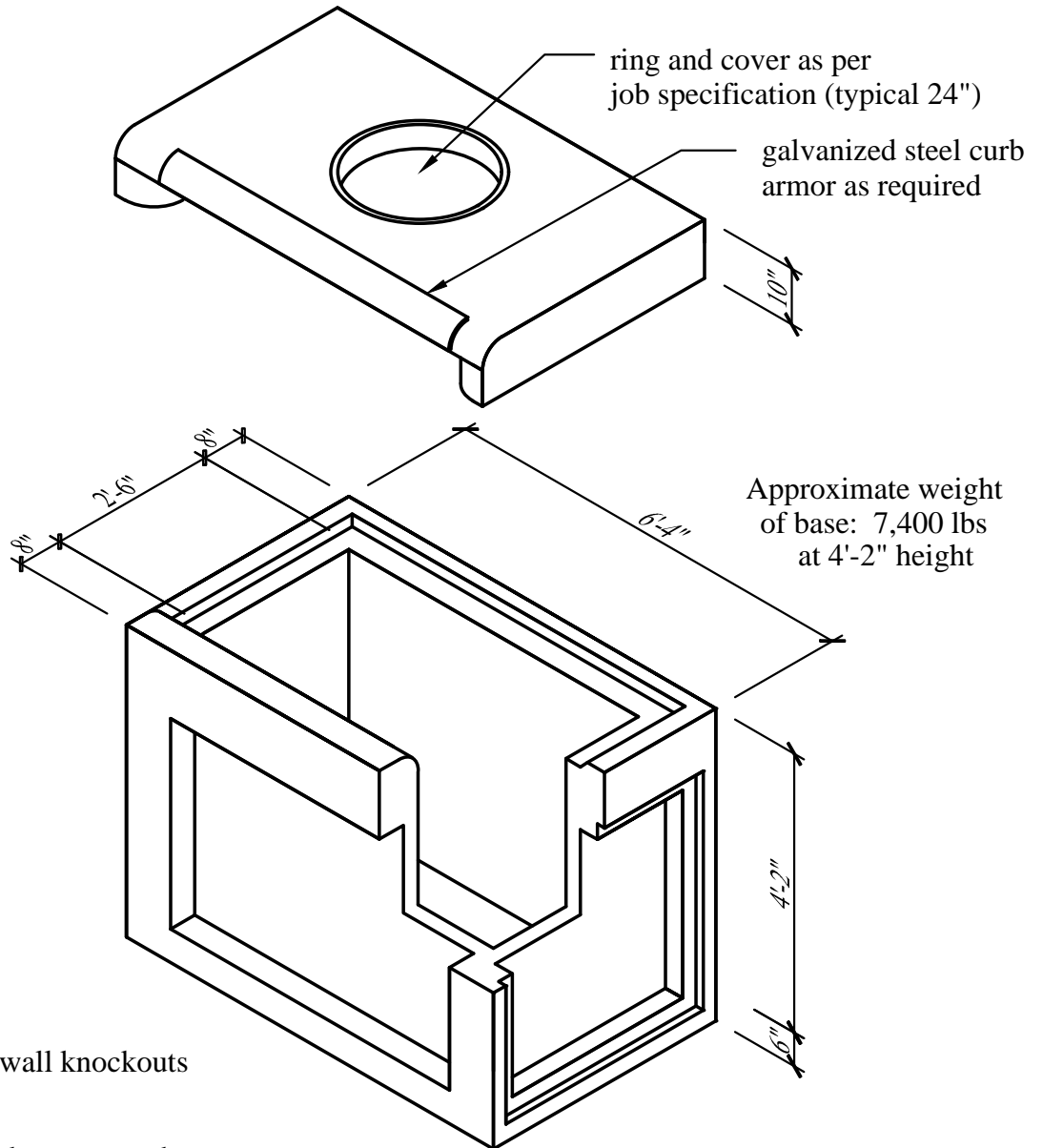


# City of San Antonio

## 5' Curb Inlet with 5' Invert and Galvanized Armor



Approximate weight  
of base: 7,400 lbs  
at 4'-2" height

**Bottom Section:**

- 48" x 36" rectangular thinwall knockouts on front and rear
- 34" x 36" rectangular knockouts on ends
- Riser sections available upon request
- Concrete has a 28 day strength of 5,000 psi
- Steel reinforcement is ASTM A615 grade 60
- Load design is H-20

**Notes:**  
- Consult manufacturer before handling



**CAPITAL PRECAST, INC.**

6905 SOUTH OLD BASTROP HWY  
SAN MARCOS, TEXAS 78666  
PH. (830) 606-6200

FOR 5' Curb Inlet with 5' Invert and Curb Armor SA

JOB

DRAWN

RW

DATE

12/1/2015

Rev. No.

SHEET

FILE

catalog/curbinlets/5' curb SA

1 OF 1