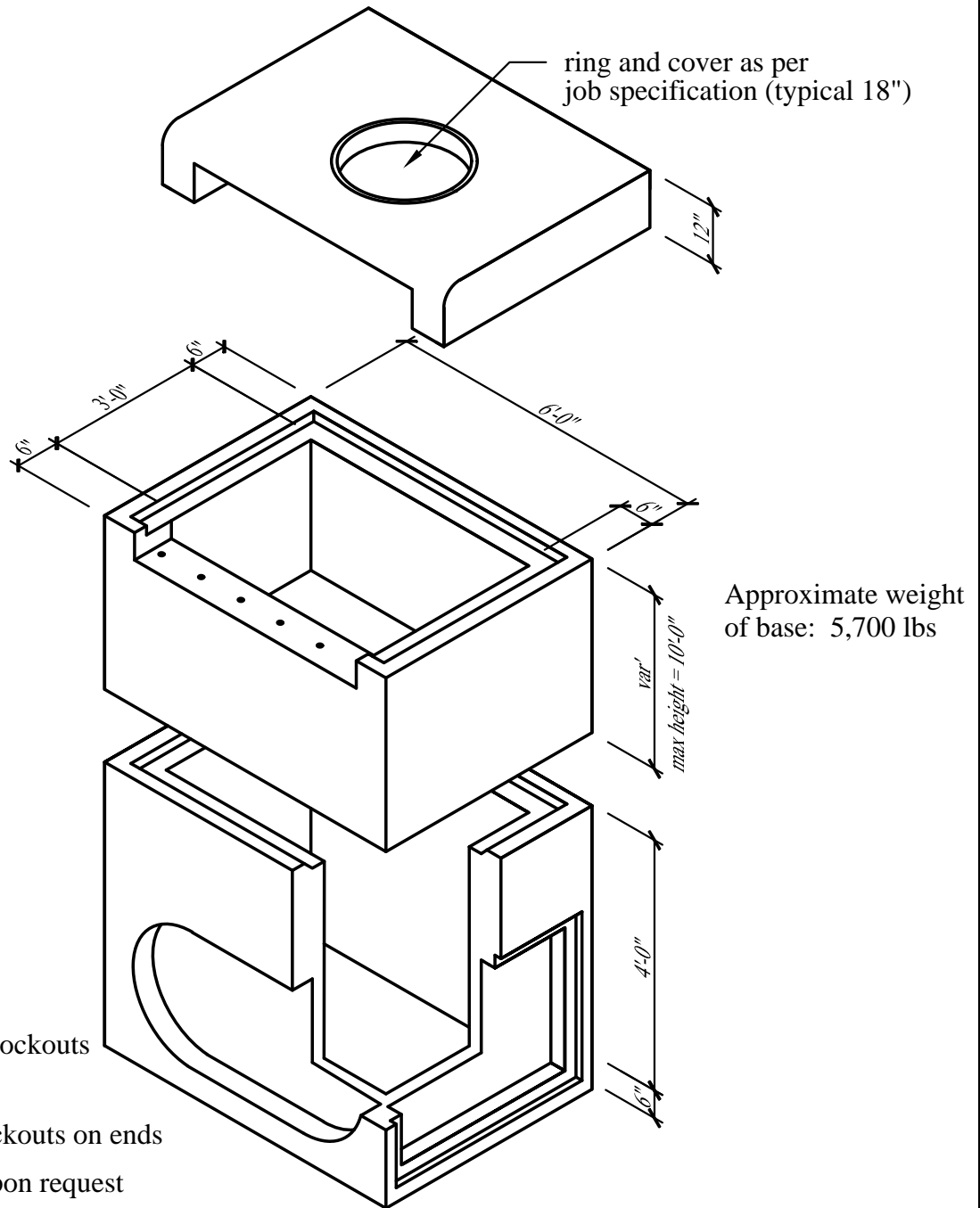


City of Austin

5' Curb Inlet with Variable Invert



Approximate weight of base: 5,700 lbs

Bottom Section:

- 58" x 30" oval thinwall knockouts on front and rear
- 36" x 30" rectangular knockouts on ends
- Riser sections available upon request
- Concrete has a 28 day strength of 5,000 psi
- Steel reinforcement is ASTM A615 grade 60
- Load design is H-20

Notes:

- Consult manufacturer before handling



CAPITAL PRECAST, INC.

6905 SOUTH BASTROP HWY
 SAN MARCOS, TEXAS 78666
 PH. (830) 606-6200

FOR 5' Curb Inlet with Variable Invert - Austin

JOB

DRAWN

RW

DATE

12/1/2015

Rev. No.

SHEET

FILE

catalog/curbinlets/5' curb Austin variable

1 OF 1