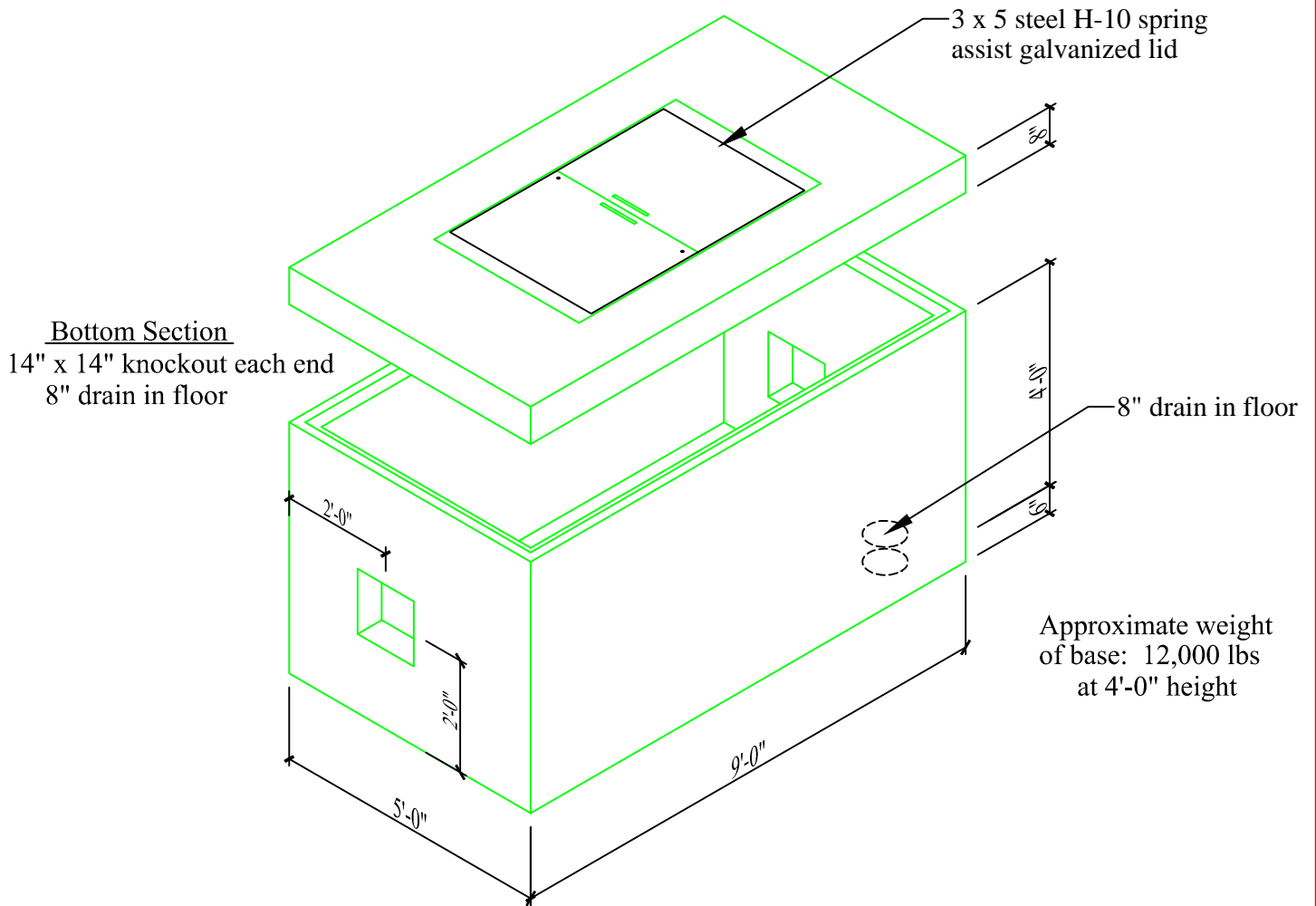


4' x 8' x 4' Meter Vault SAWS



Specifications:

- Concrete has a 28 day strength of 5,000 psi
- Steel reinforcement is ASTM A615 grade 60
- Load design is H-20

Notes:

- Consult manufacturer before handling



CAPITAL PRECAST, INC.

6905 SOUTH OLD BASTROP HWY
SAN MARCOS, TEXAS 78666
PH. (830) 606-6200

FOR 4' x 8' x 4' Utility Vault - SAWS

JOB

DRAWN	RW	DATE	12/1/2015	Rev. No.	SHEET
FILE					1 OF 1

catalog/vaults/4x8x4SAWS