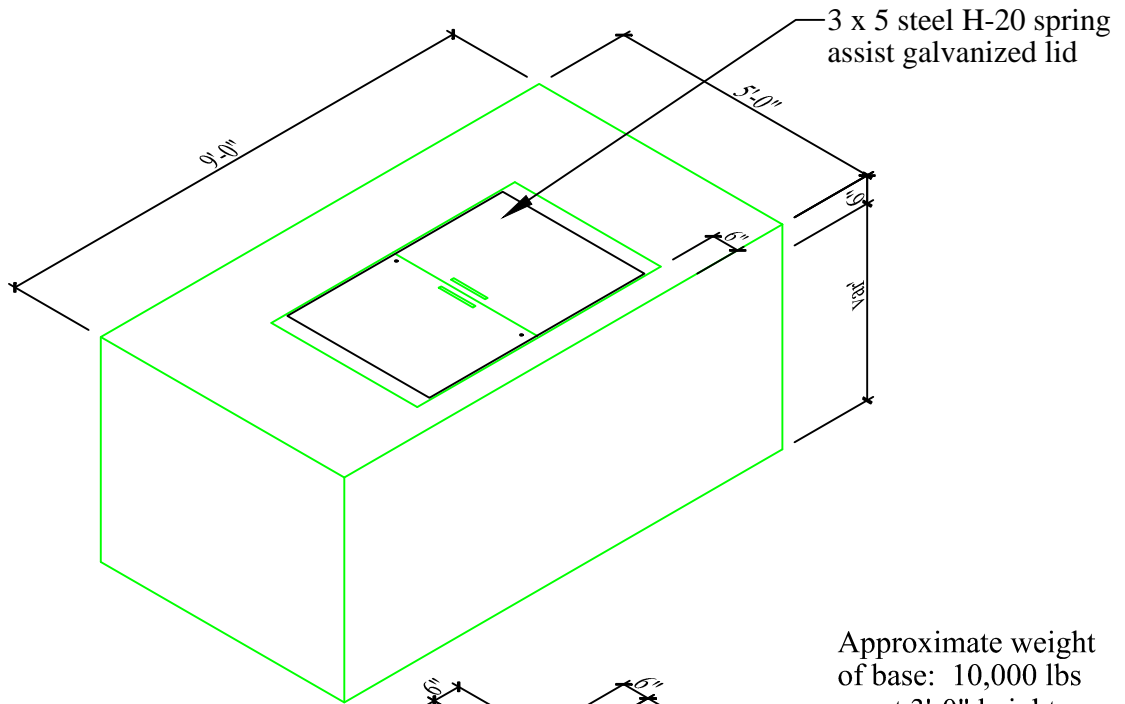
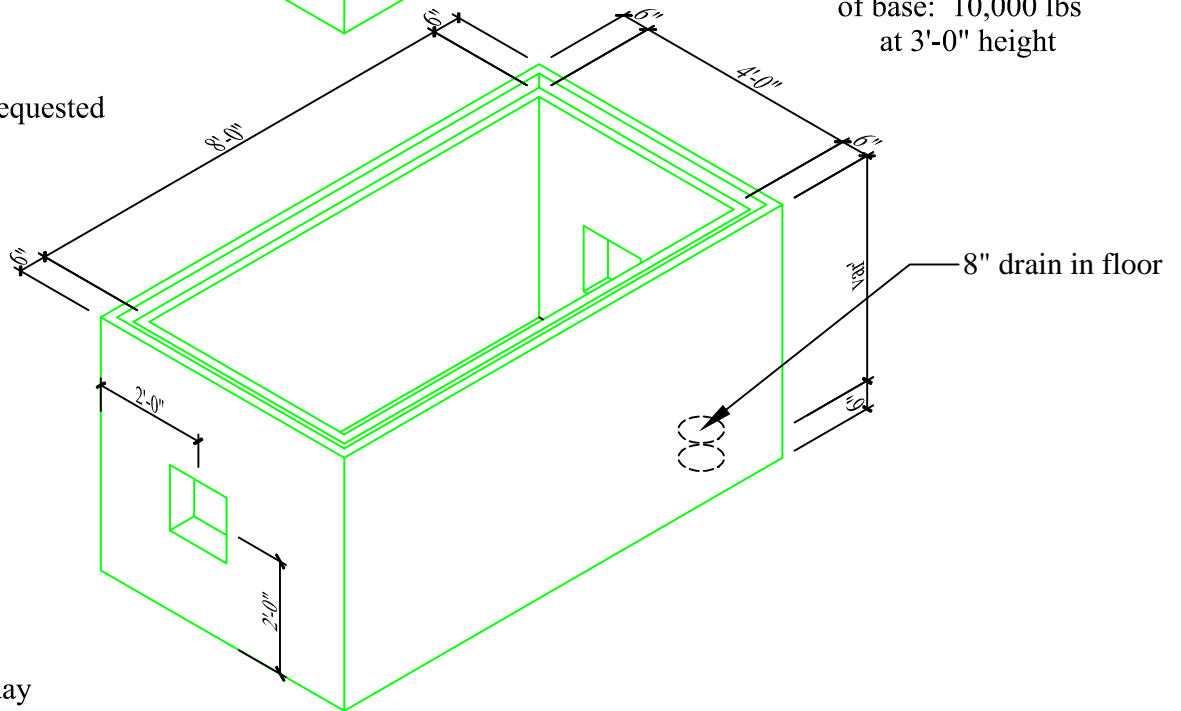


# 4' x 8' x var Utility Vault



Approximate weight of base: 10,000 lbs at 3'-0" height

Bottom Section  
14" x 14" knockouts as requested  
8" drain in floor



## Specifications:

- Concrete has a 28 day strength of 5,000 psi
- Steel reinforcement is ASTM A615 grade 60
- Load design is H-20

## Notes:

- Consult manufacturer before handling



CAPITAL PRECAST, INC.

6905 SOUTH OLD BASTROP HWY  
SAN MARCOS, TEXAS 78666  
PH. (830) 606-6200

FOR 4' x 8' x var Utility Vault

JOB

DRAWN

EJ

DATE

10/07/2016

Rev. No.

SHEET

FILE

catalog/vaults/4x8with3x5

1 OF 1