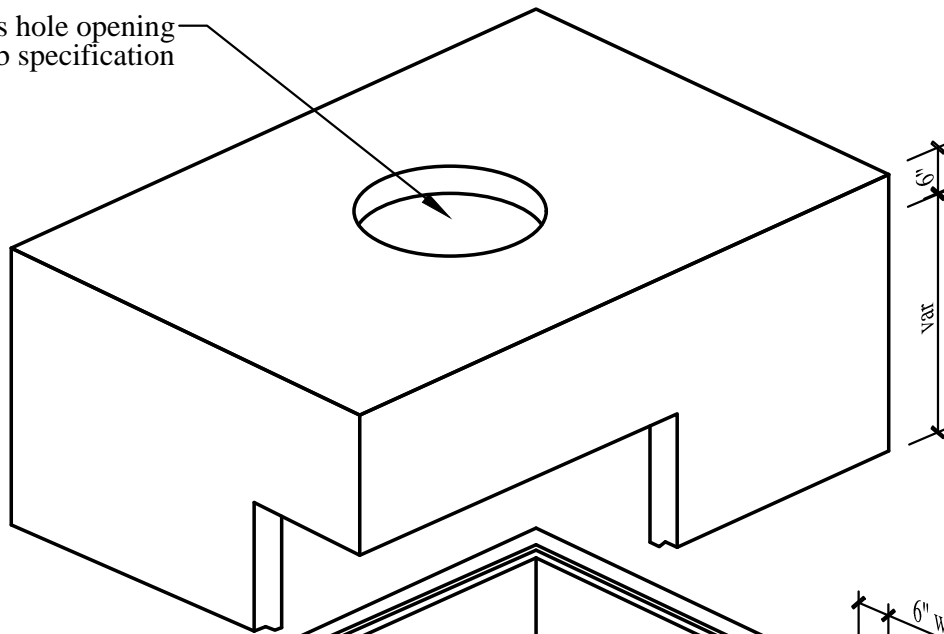


# 4' x 8' x var Electric/Communication Vault

Approximate weight of top: 10,000 lbs

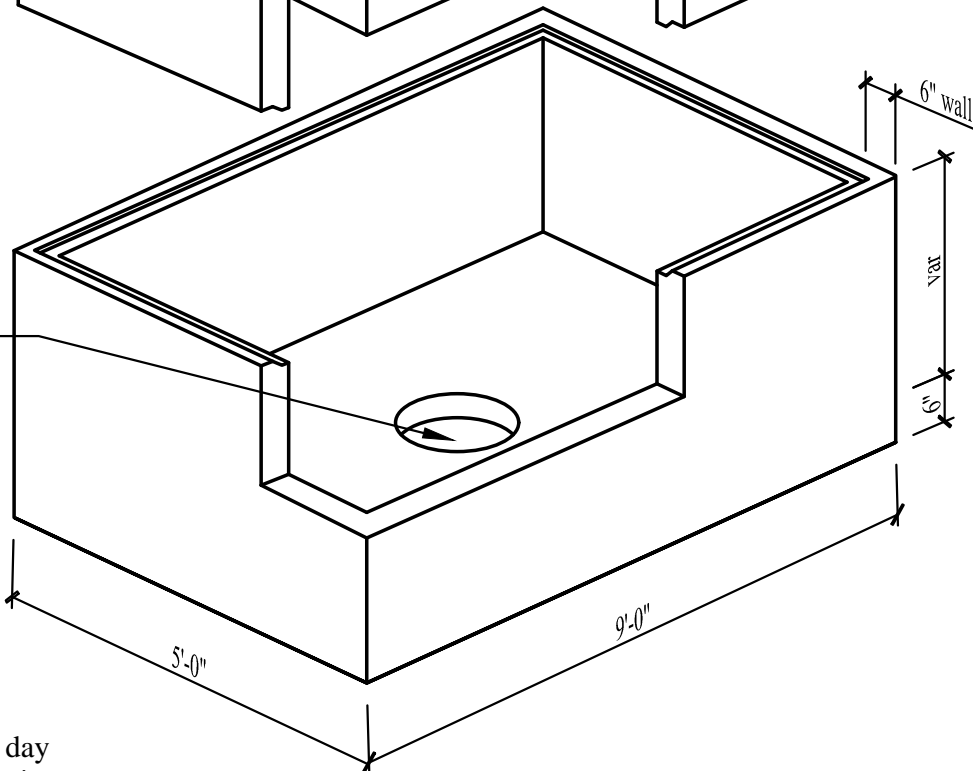
access hole opening or lid as per job specification



## Bottom Section

thinwall knockouts or duct terminators as requested

sump or drain as required



Approximate weight of base: 10,000 lbs

## Specifications:

- Concrete has a 28 day strength of 5,000 psi
- Steel reinforcement is ASTM A615 Grade 60
- Load design is H20

## Notes:

- Consult manufacturer before handling



CAPITAL PRECAST, INC.

6905 SOUTH OLD BASTROP HWY  
SAN MARCOS, TEXAS 78666  
PH. (830) 606-6200

FOR 4' x 8' x var Electric/Communication Vault

JOB

DRAWN

RW

DATE

12/1/2015

Rev. No.

SHEET

FILE

catalog/elec.comm vault/4x8 Elec. Comm Vault

1 OF 1