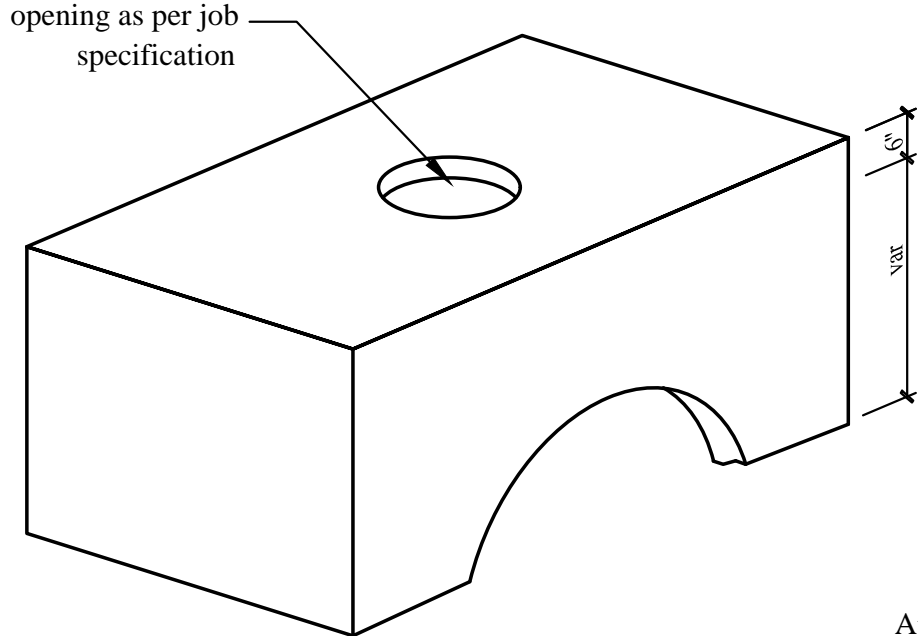
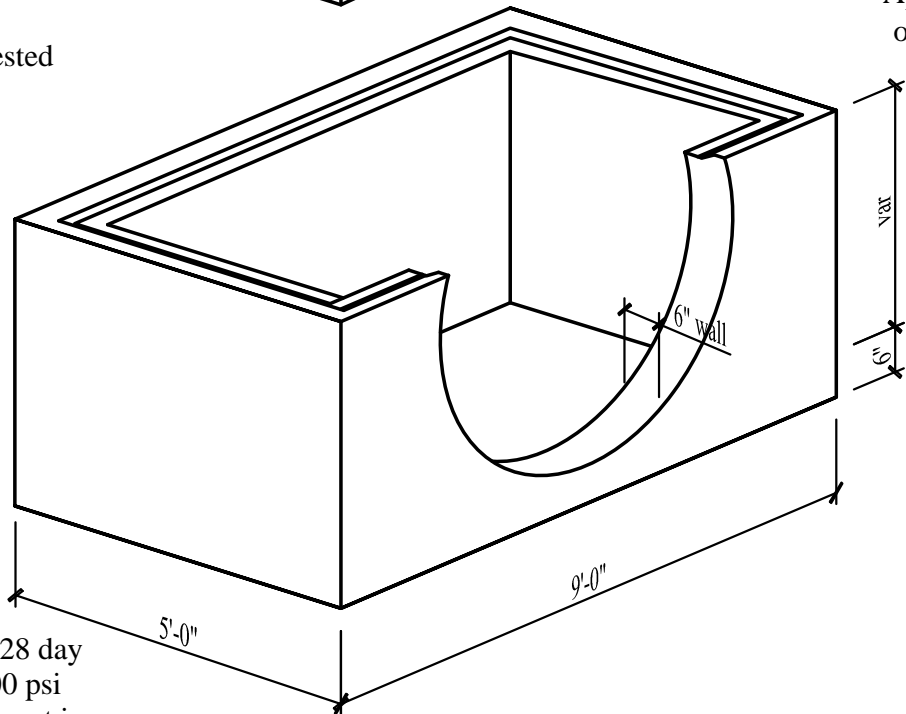


4' x 8' x var Junction Box



Bottom Section

knockouts as requested



Approximate weight
of base: 11,000 lbs
at 4'-0" height

Specifications:

- Concrete has a 28 day strength of 5,000 psi
- Steel reinforcement is ASTM A615 Grade 60
- Load design is H20

Notes:

- Consult manufacturer before handling



CAPITAL PRECAST, INC.

6905 SOUTH OLD BASTROP HWY
SAN MARCOS, TEXAS 78666
PH. (830) 606-6200

FOR 4' x 8' x var Junction Box

JOB

DRAWN

RW

DATE

7/22/2016

Rev. No.

SHEET

FILE

catalog/junction boxes/4x8JB

1 OF 1