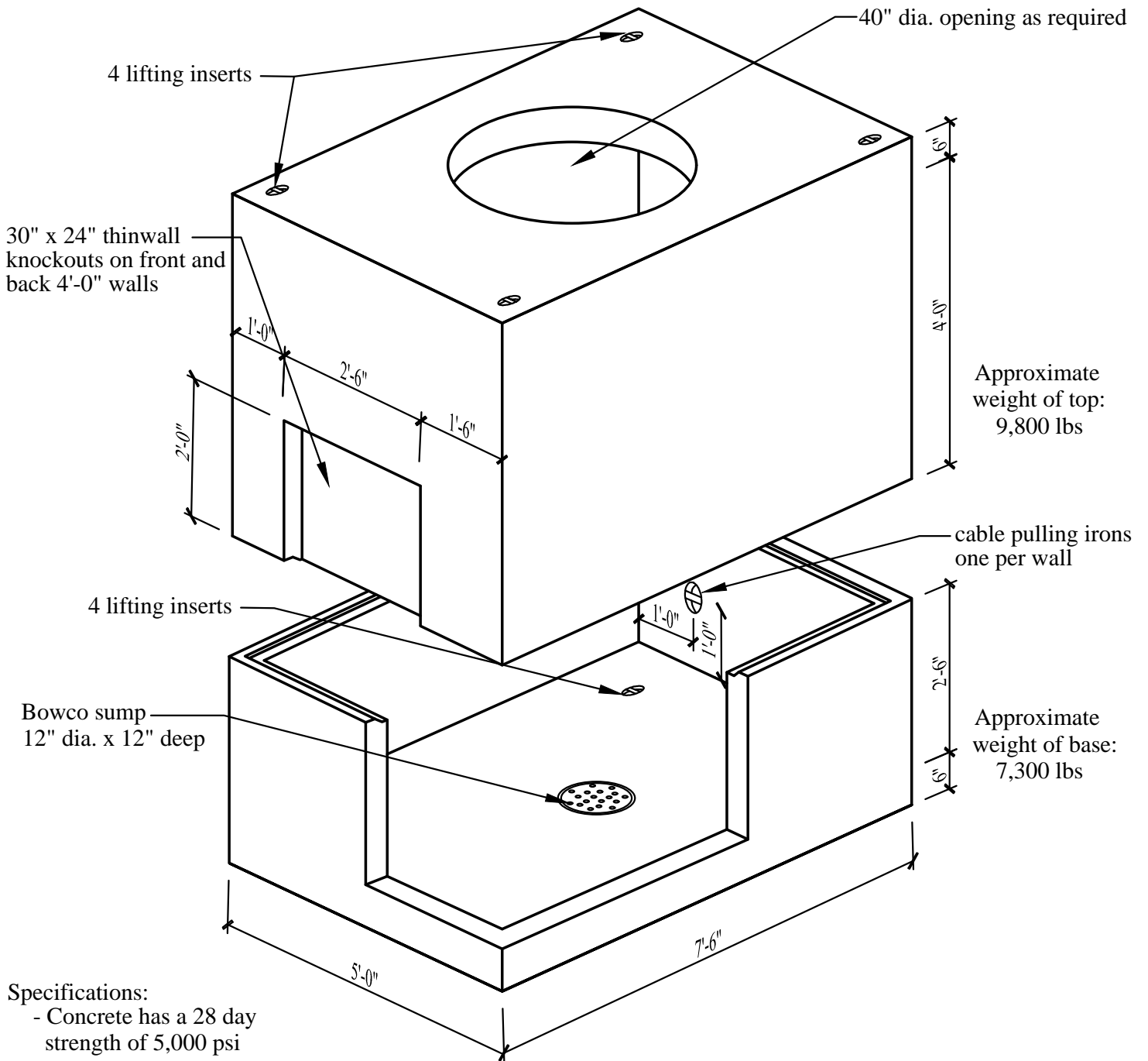


# CPS Precast Manhole

## 4' x 6'-6" x 6'-6"



**Specifications:**

- Concrete has a 28 day strength of 5,000 psi
- Steel reinforcement is ASTM A615 Grade 60
- Product built in accordance with CPS spec 349-04

**Notes:**

- Consult manufacturer before handling



**CAPITAL PRECAST, INC.**

6905 SOUTH OLD BASTROP HWY  
 SAN MARCOS, TEXAS 78666  
 PH. (830) 606-6200

FOR 4' x 6'-6" x 6'-6" Manhole - CPS

JOB

DRAWN

RW

DATE

12/1/2015

Rev. No.

SHEET

FILE

catalog/elec.comm vault/4x6.5x6.5 Manhole CPS

1 OF 1