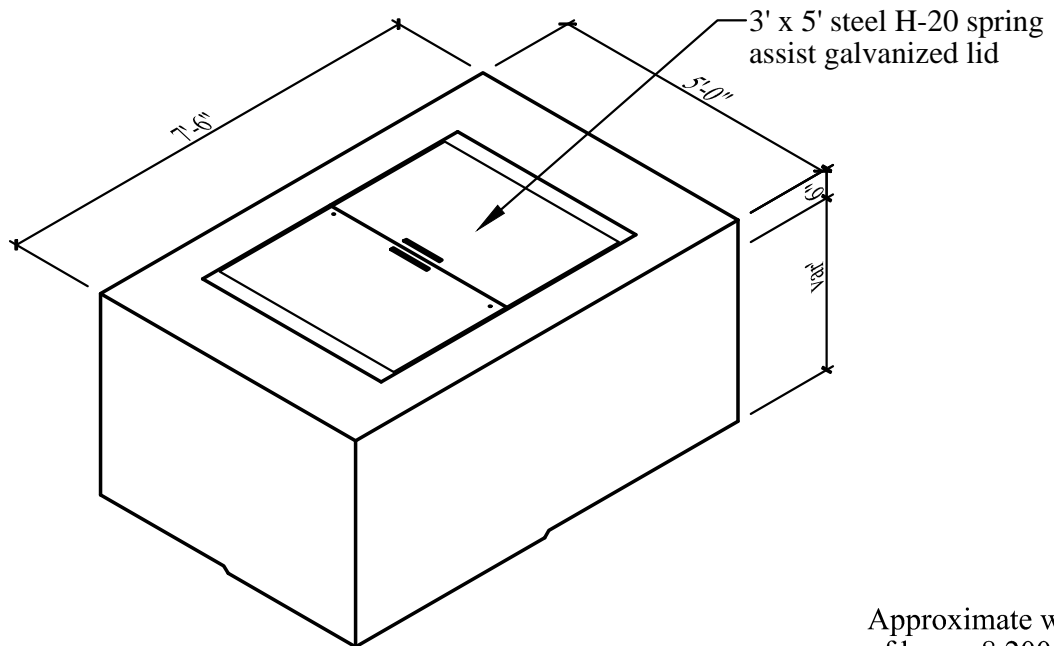
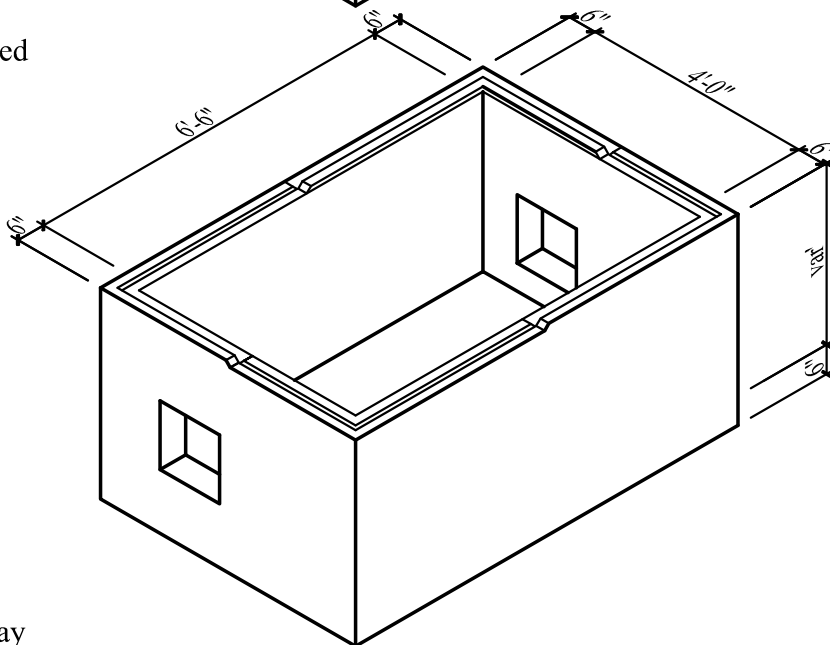


4' x 6'-6" x var Utility Vault



Bottom Section
knockouts as requested
6" drain in floor



Approximate weight
of base: 8,200 lbs
at 3'-0" height

Specifications:

- Concrete has a 28 day strength of 5,000 psi
- Steel reinforcement is ASTM A615 grade 60
- Load design is H-20

Notes:

- Consult manufacturer before handling



CAPITAL PRECAST, INC.

6905 SOUTH OLD BASTROP HWY
SAN MARCOS, TEXAS 78666
PH. (830) 606-6200

FOR 4' x 6'-6" x var Utility Vault

JOB

DRAWN

RW

DATE

12/1/2015

Rev. No.

SHEET

FILE

catalog/vaults/4x6.6with3x5

1 OF 1