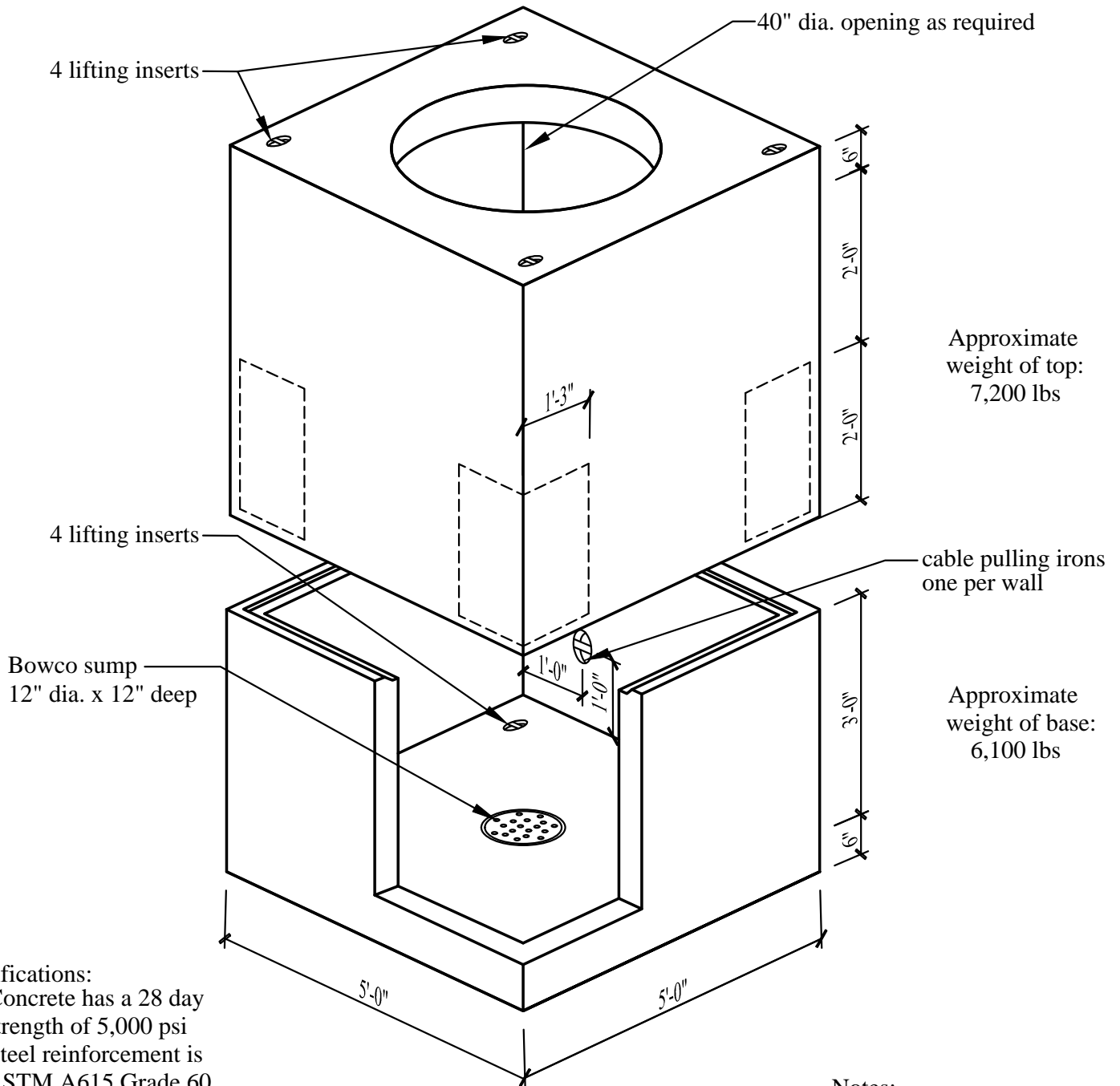


CPS Precast Manhole

4' x 4' x 7'



Specifications:

- Concrete has a 28 day strength of 5,000 psi
- Steel reinforcement is ASTM A615 Grade 60
- Product built in accordance with CPS spec 349-04

Notes:

- Consult manufacturer before handling



CAPITAL PRECAST, INC.

6905 SOUTH OLD BASTROP HWY
 SAN MARCOS, TEXAS 78666
 PH. (830) 606-6200

FOR 4' x 4' x 7' Manhole - CPS

JOB

DRAWN

RW

DATE

12/1/2015

Rev. No.

SHEET

FILE

catalog/elec.comm vaults/4x4x7 Manhole CPS

1 OF 1