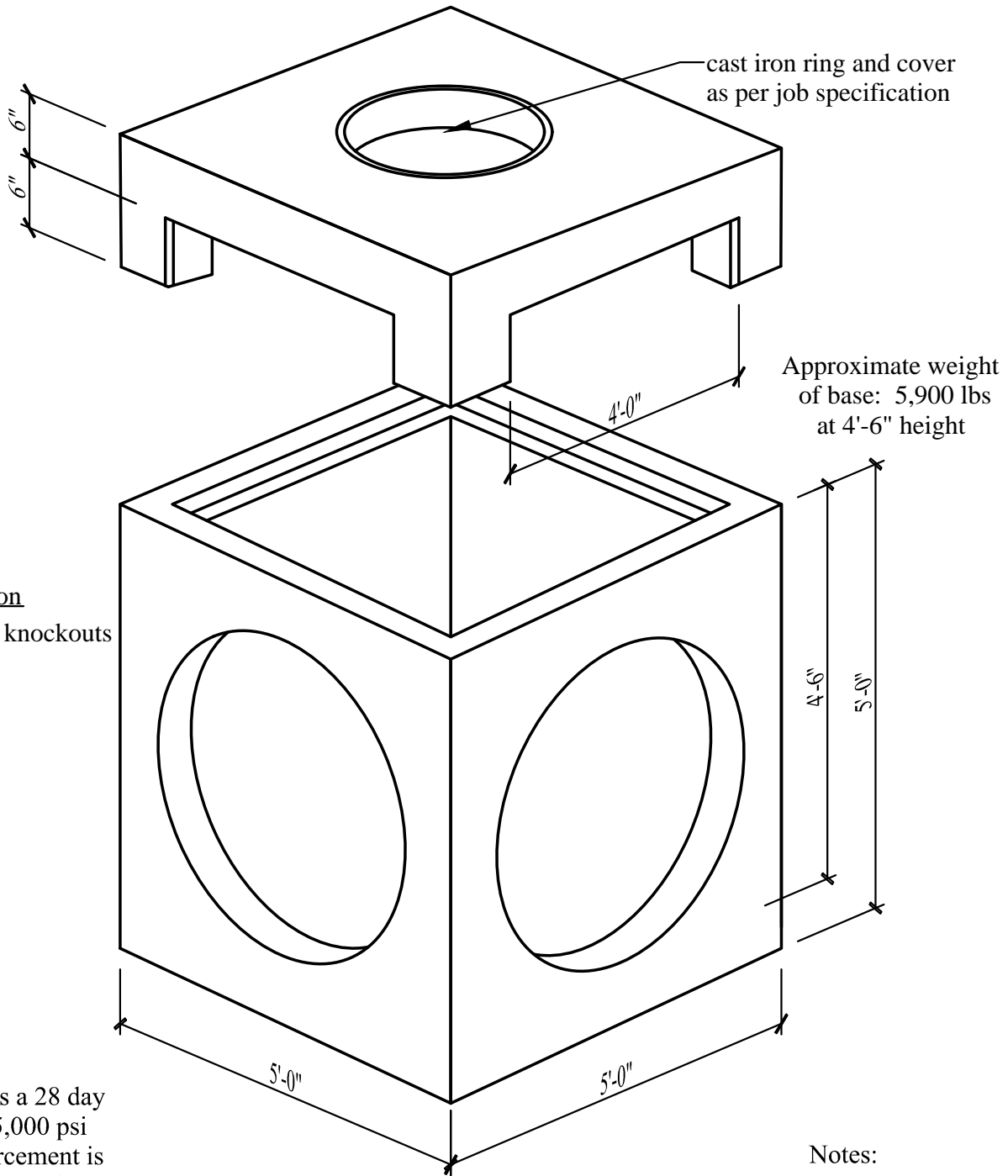


4' x 4' x var 4-Way Inlet



Bottom Section
48" dia thinwall knockouts
all four sides

- Specifications:
- Concrete has a 28 day strength of 5,000 psi
 - Steel reinforcement is ASTM A615 grade 60
 - Load design is H-20

Notes:
- Consult manufacturer
before handling



CAPITAL PRECAST, INC.

6905 SOUTH OLD BASTROP HWY
SAN MARCOS, TEXAS 78666
PH. (830) 606-6200

FOR 4' x 4' x var 4-Way Inlet

JOB

DRAWN

RW

DATE

12/1/2015

Rev. No.

SHEET

FILE

catalog/areainlets/4x4 area inlet

1 OF 1