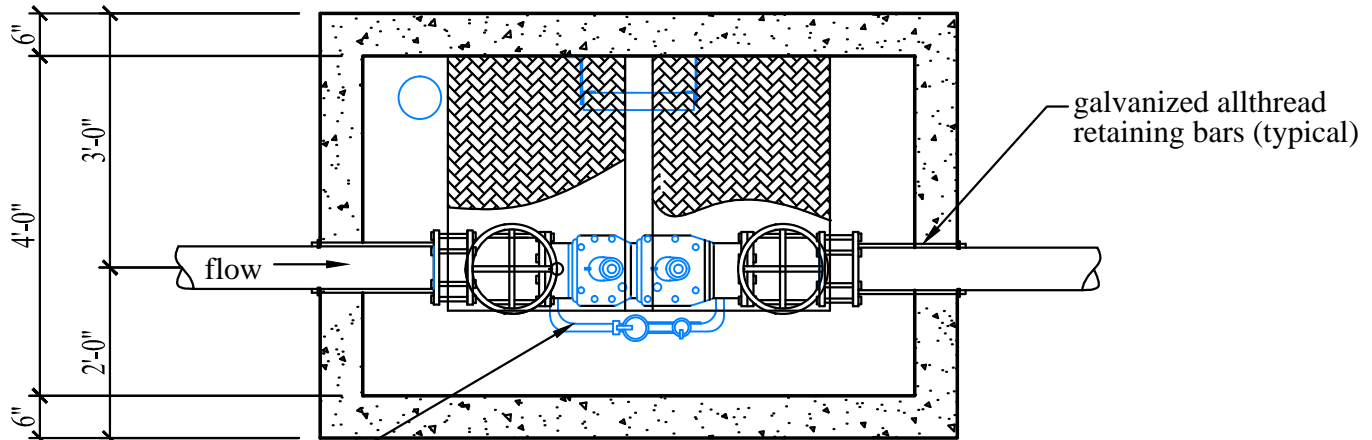


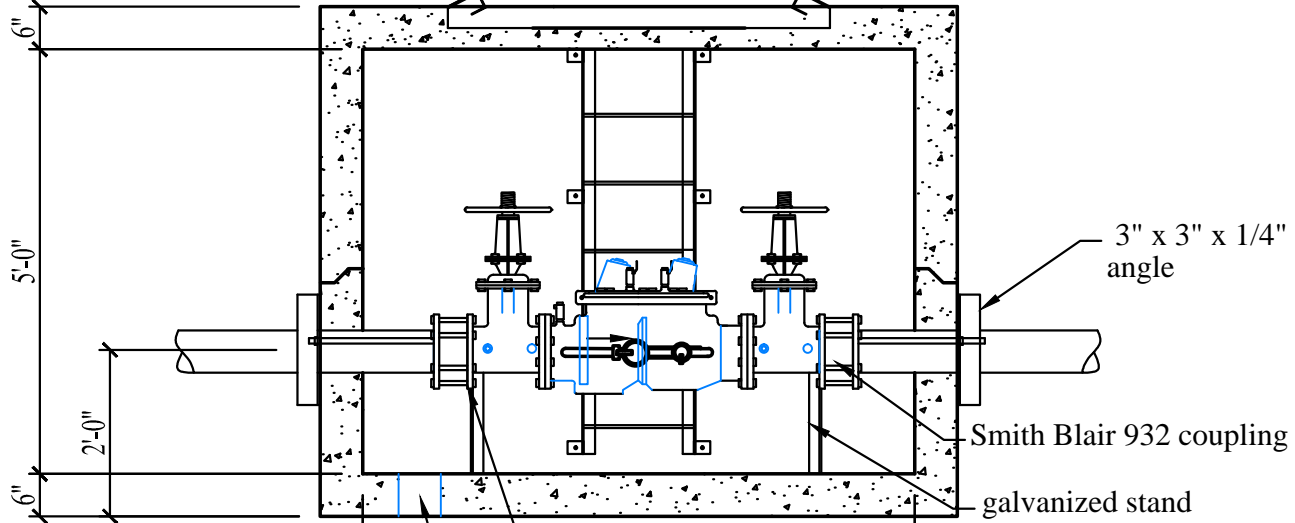
- 4" Double Check Assembly
- 4" Double Check Detector Assembly



optional detector

galvanized allthread retaining bars (typical)

3 x 5 steel H-20 spring assist galvanized lid



3" x 3" x 1/4" angle

Smith Blair 932 coupling

galvanized stand

Smith Blair 912 coupling

6" dia. thru drain

Specifications:

- Concrete has a 28 day strength of 5,000 psi
- Steel reinforcement is ASTM A615 grade 60
- Load design is H-20

Notes:

- Consult manufacturer before handling



CAPITAL PRECAST, INC.

6905 SOUTH OLD BASTROP HWY
SAN MARCOS, TEXAS 78666
PH. (830) 606-6200

FOR 4" DC/DCD Assembly

JOB

DRAWN

RW

DATE

12/1/2015

Rev. No.

SHEET

FILE

catalog/backflow assembly/4 ddc assy

1 OF 1