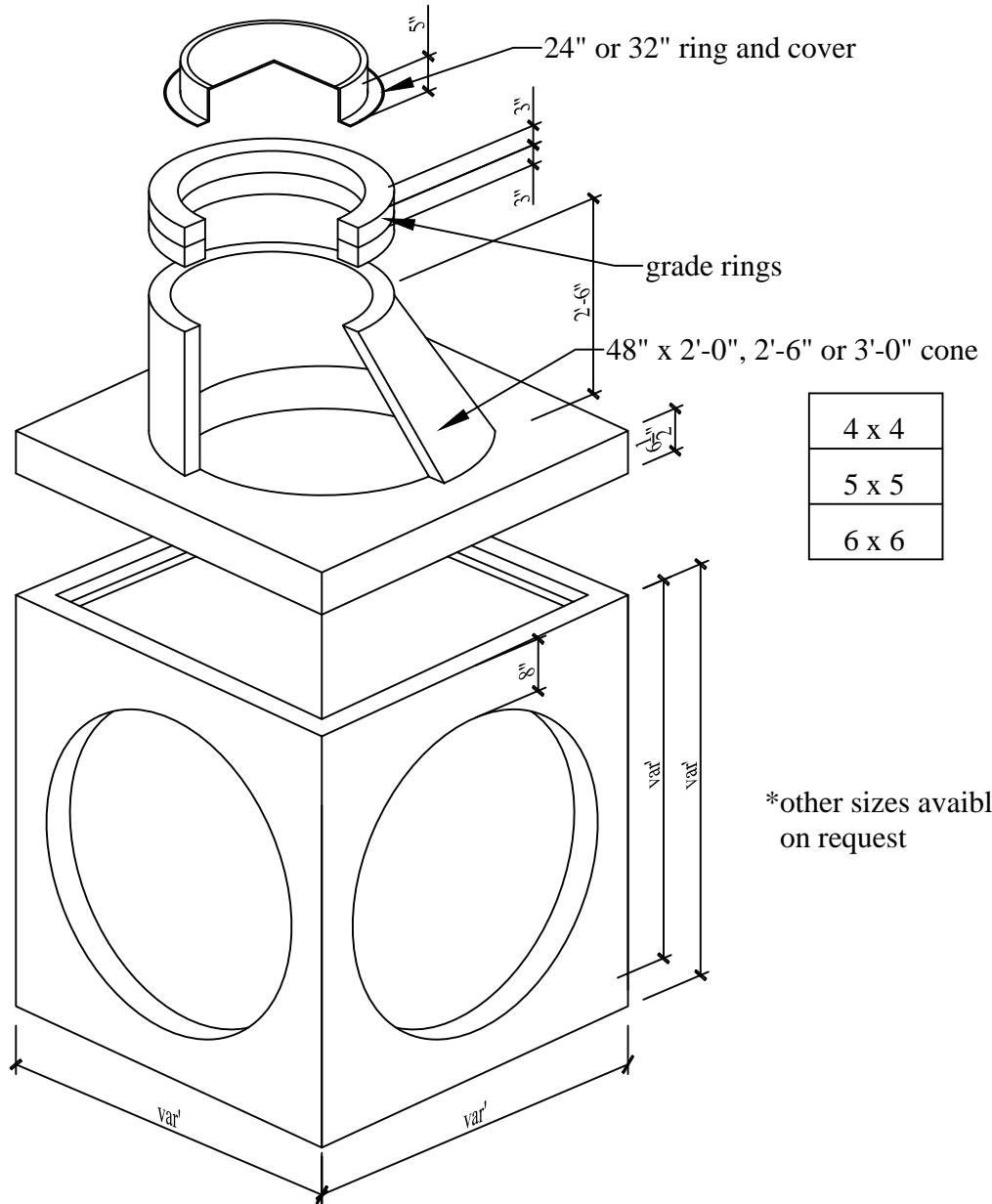


# Junction Box / Eccentric Manhole



Bottom Section  
knockouts as requested

4 x 4
5 x 5
6 x 6

\*other sizes available  
on request

### Specifications:

- Concrete has a 28 day strength of 5,000 psi
- Steel reinforcement is ASTM A615 grade 60
- Load design is H-20

### Notes:

- Consult manufacturer before handling



CAPITAL PRECAST, INC.

6905 SOUTH OLD BASTROP HWY  
SAN MARCOS, TEXAS 78666  
PH. (830) 606-6200

FOR Junction Box / Eccentric Manhole

JOB

DRAWN

RW

DATE

12/1/2015

Rev. No.

SHEET

FILE

catalog/junction boxes/456 JB with ecc cone

1 OF 1