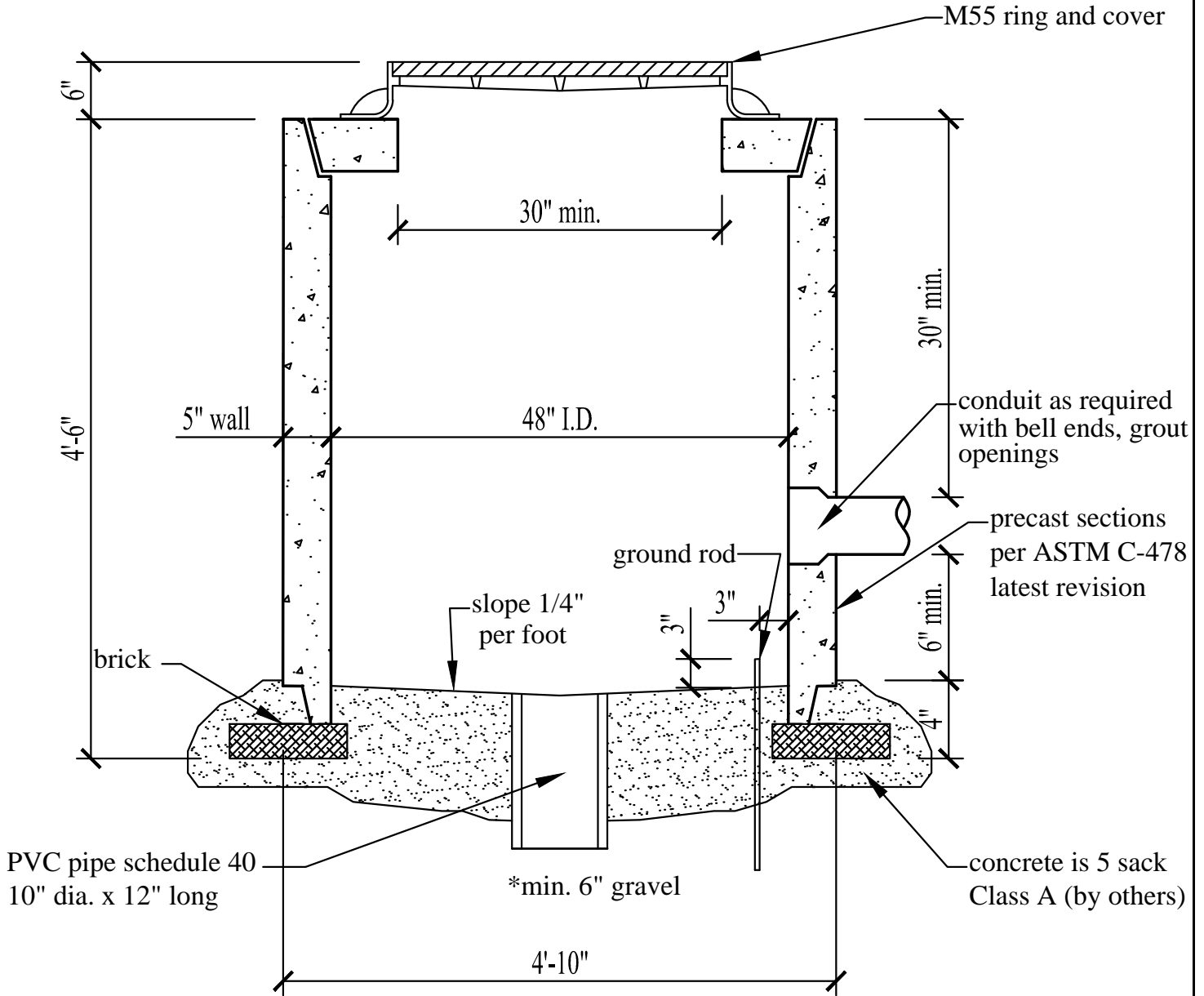


48" Pullbox (Traffic Type)



Specifications:

- Concrete has a 28 day strength of 5,000 psi
- Steel reinforcement is ASTM A615 Grade 60

Notes:

- The structure shall be placed on a compacted granular base
- Consult Manufacturer before handling



CAPITAL PRECAST, INC.

800 WATSON LANE EAST
NEW BRAUNFELS, TEXAS 78130
PH. (830) 606-6200

FOR		48" Pullbox (Traffic Type)		
JOB				
DRAWN	RW	DATE	10/29/13	ENG. No.
FILE	f:/users/renee/pullboxes/48pullbox(traffic)rev.dwg			SHEET
				1 OF 1